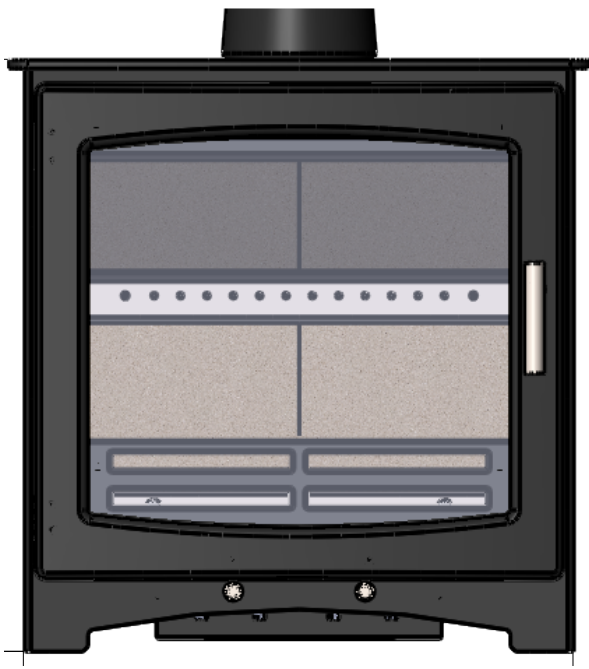




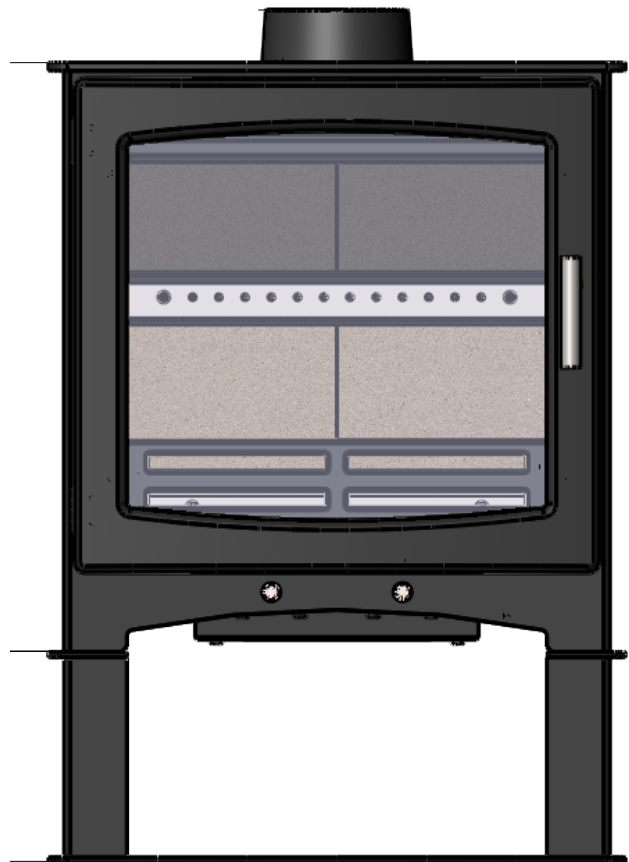
BELTANE STOVES

OPERATION AND INSTALLATION MANUAL

Wood & Smoke Exempt models



CARY FREESTANDING



CARY WITH RAISED STAND

Z2101

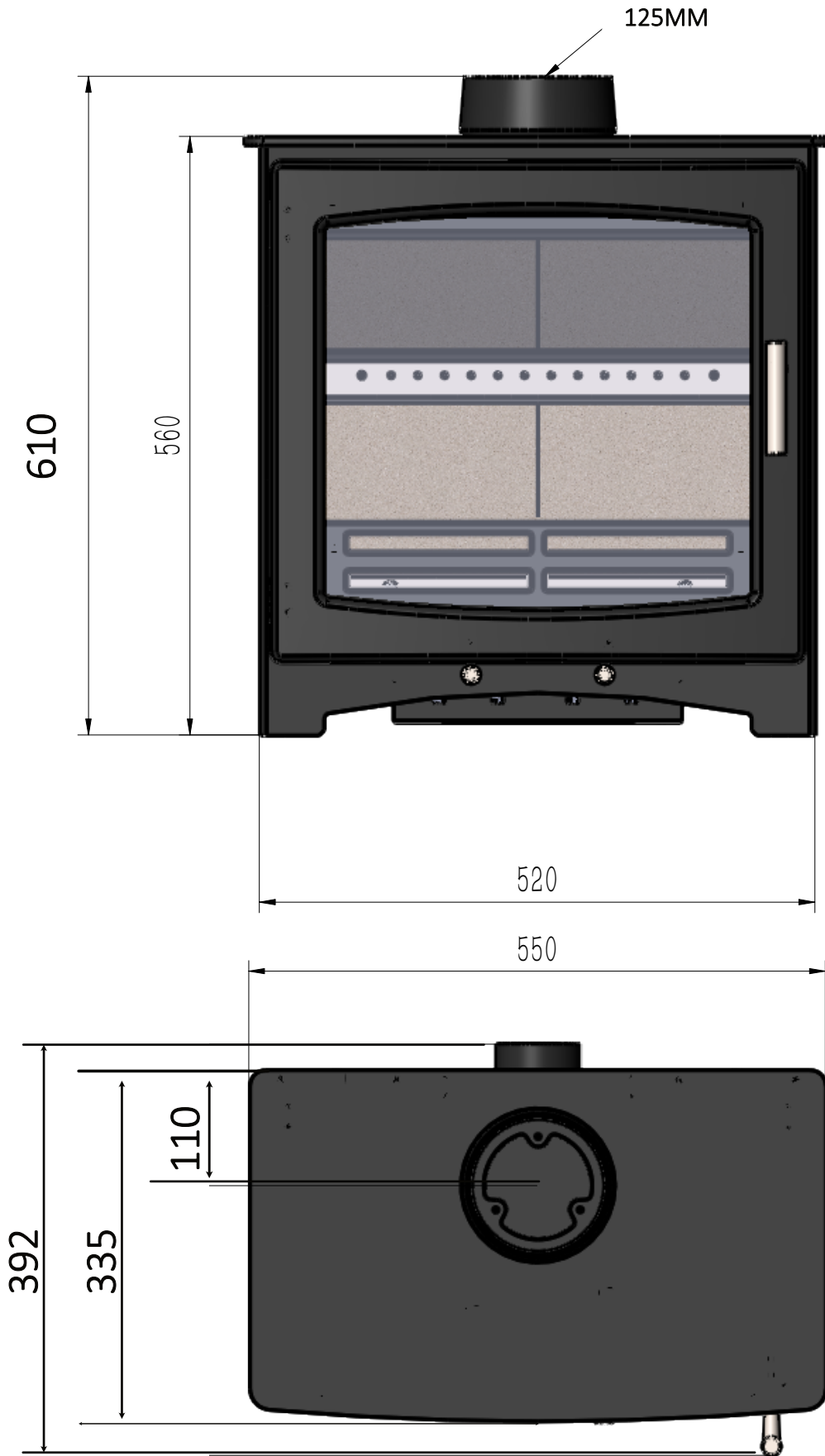
CARY WOOD BURNING STOVES

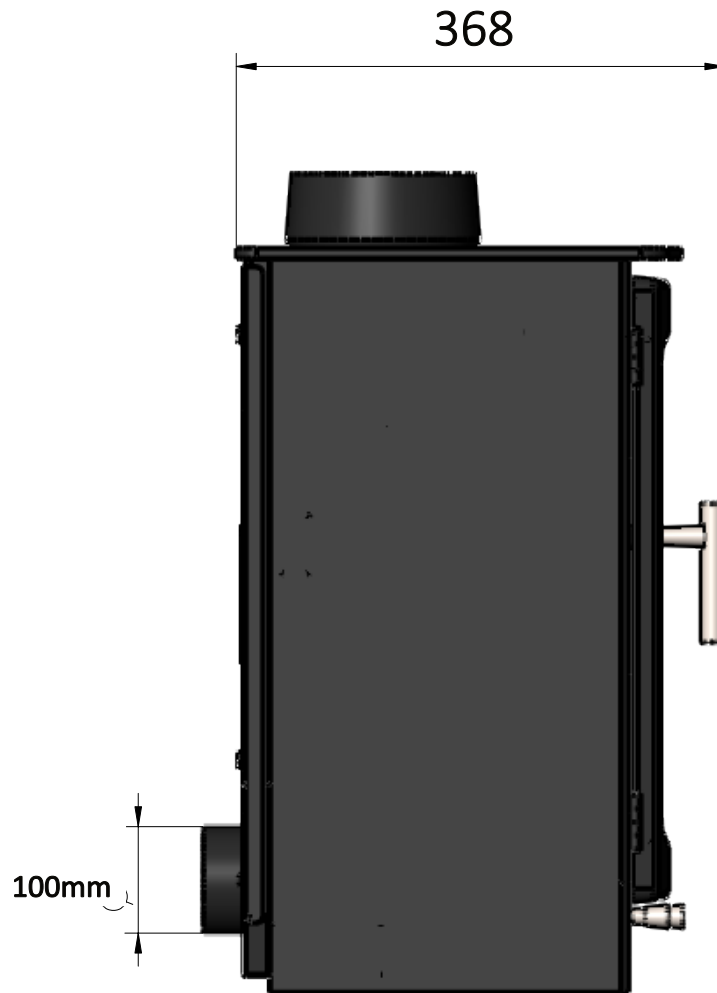
ECO-DESIGN

NOVEMBER 2025

DIMENSIONS

CARY FREESTANDING

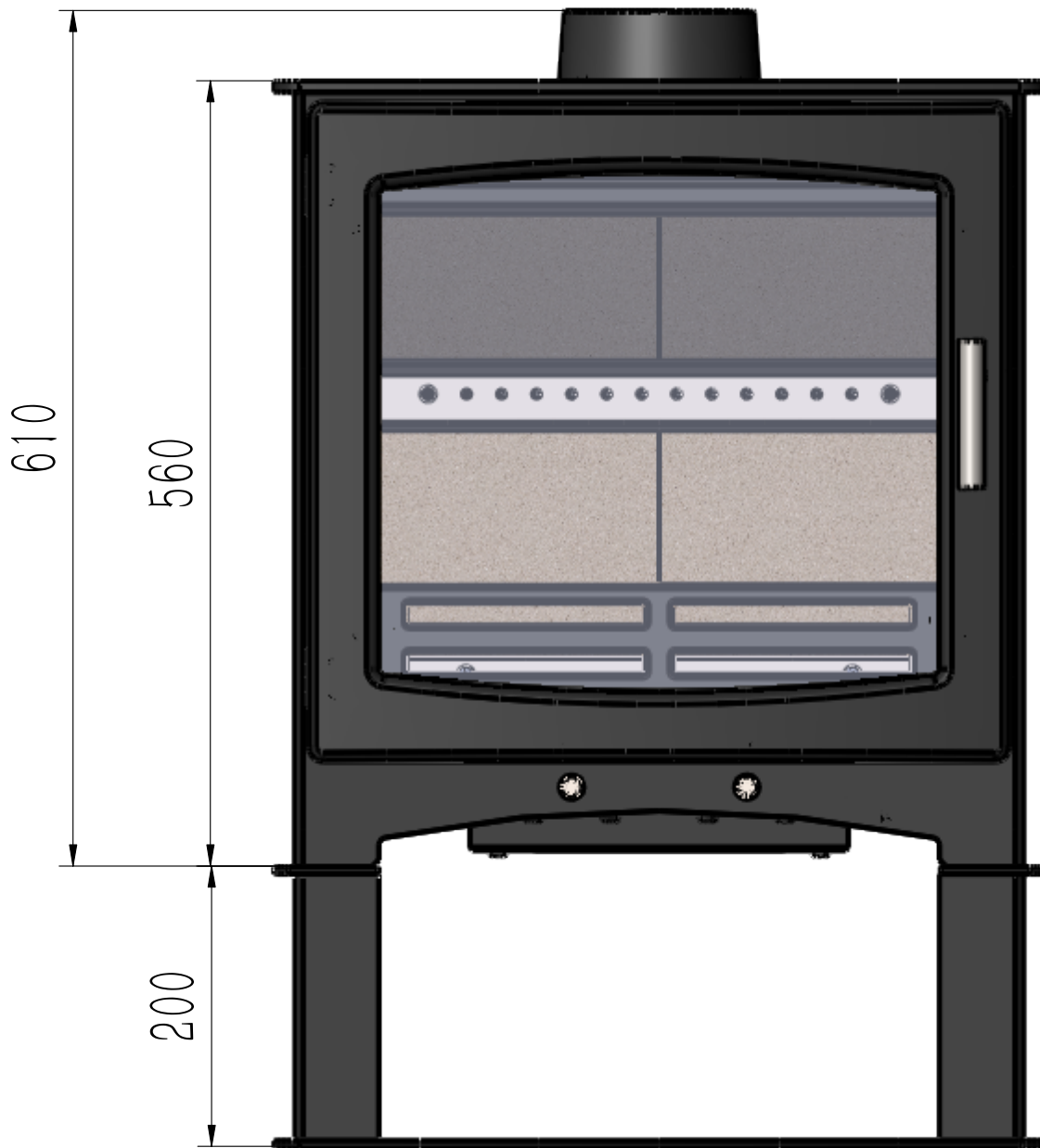




The Cary Freestanding Stove is not suitable for installation on a combustible floor. This appliance must be installed on a standard constructional hearth in accordance with the requirements of Building Regulations Approved Document J and all applicable local regulations.

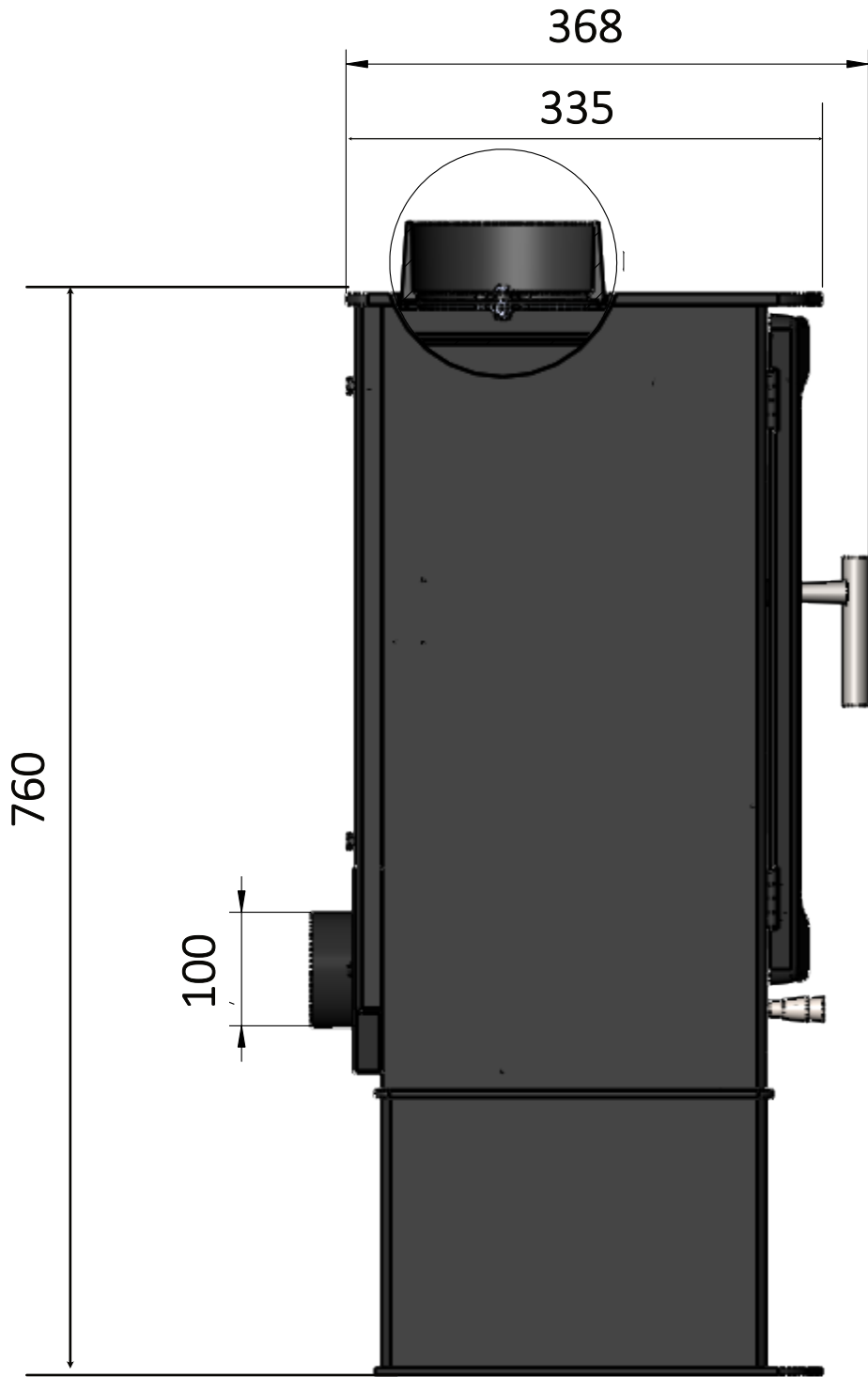
The hearth must be constructed from non-combustible materials and provide a minimum plan depth of 225mm in front of the appliance loading door. The hearth must extend to the required dimensions at the sides and front of the appliance as specified in the installation instructions and current Building Regulations.

WARNING: Do not install this appliance directly onto combustible floor coverings, timber floors, laminate flooring, carpet, or any other combustible surface. Failure to comply with these requirements may create a fire hazard.



The Cary with Raised Stand is suitable for installation on a combustible floor, provided it is installed on a minimum 12mm thick non-combustible hearth in accordance with the appliance installation instructions and all applicable Building Regulations. The raised stand has been designed to provide the necessary separation between the appliance and the hearth surface. The area beneath the appliance and within the raised stand must be kept clear at all times.

****WARNING:**** The raised stand is not intended for the storage of logs, kindling, paper, fuels, cleaning materials, or any other combustible items. Storing combustible materials beneath or adjacent to the appliance may create a fire hazard.



INSTALLATION MANUAL AND OPERATING INSTRUCTIONS

CARY 5.0 Kw Z2101

This stove has been tested to meet EN 13240 standards.

Congratulations on choosing a new stove from Beltane Stoves. Please take time to read this manual carefully to ensure you enjoy the best performance from your stove and to help avoid potential issues in the future. Remember that *all local regulations, including those relating to national and European Standards, must be followed when installing this appliance*. For further details on the installation and operation of fireplaces and wood-burning appliances, please consult the relevant building regulations.

These instructions outline the key principles for the correct installation of the CARY wood burning stove, though minor adjustments may be required to suit specific site conditions.

All Beltane stoves come with a 2-year warranty covering manufacturing defects.

HEALTH AND SAFETY PRECAUTIONS

INFORMATION FOR USERS, INSTALLERS & SERVICE ENGINEERS

When installing this stove, particular attention must be given to ensuring compliance with the Health and Safety at Work Act.

Handling

Suitable equipment must be available for safe loading, unloading, and on-site handling of the stove.

Fire Cement

Certain fire cements are caustic and must not come into contact with skin. If contact occurs, wash immediately with plenty of clean water.

PREPARATORY WORK AND SAFETY CHECKS

IMPORTANT WARNING

This stove must *not* be connected to a chimney that also serves another heating appliance. Additionally, no extractor fan should be fitted in the same room as the stove, as this can cause harmful fumes to be drawn into the living space.

Asbestos

This stove contains no asbestos. However, if asbestos could be disturbed during installation, specialist advice should be sought and appropriate protective equipment must be used.

Metal Parts

Take care when handling or servicing the stove to avoid injury from sharp or heavy components.

Carbon Monoxide Alarms

Building regulations require that when installing a new or replacement fixed solid-fuel or wood/biomass appliance in a dwelling, a carbon monoxide alarm must also be installed in the same room. Further installation guidance is provided in BS EN 50292:2002 and the alarm manufacturer's instructions. An alarm is not a replacement for correct installation, proper servicing, or routine maintenance of the appliance and chimney.

Stove Paint Aerosols

Aerosol paints are highly flammable and must never be used near a lit stove. Ensure that sprayed surfaces are completely dry and the room well ventilated before using the appliance. Using aerosols in proximity to a burning stove is hazardous, and great care must be taken when handling them.

INSTALLING THE BELTANE CARY STOVE

Adjustable legs

The Beltane Cary Wood burning stove is equipped with adjustable legs, making it suitable for installation on uneven floors. Before installation, adjust the legs by winding down the bolts with a spanner until they extend slightly below the stove legs. Once the desired height is set, secure the position by tightening the locking nut. This adjustment should be carried out with the stove tilted to access the relevant leg. After adjustments, position and level the stove carefully.

Exchanging collar position from top to rear

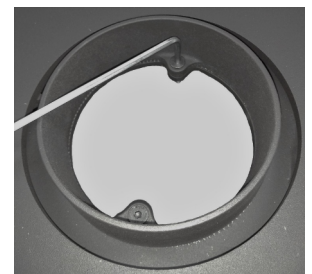
The Beltane Cary is supplied with the top collar already installed, to exchange the collar from the top position to the rear take the following steps:

1. Remove the flue collar by unbolting from the body of the stove.
2. Break off tabs on rear convection panel and remove the laser cut section. To do this the rear convection panel does not need to be removed.
3. Remove rear cover plate from the rear flue position. Place this plate on the top exit flue position and secure down tightly using the bolts from the rear positions. The top cover plate will have a flat rope seal already fitted.
4. Fix the cast iron collar onto the rear outlet using the bolts that secured the collar originally.

Securing collar to flue pipe

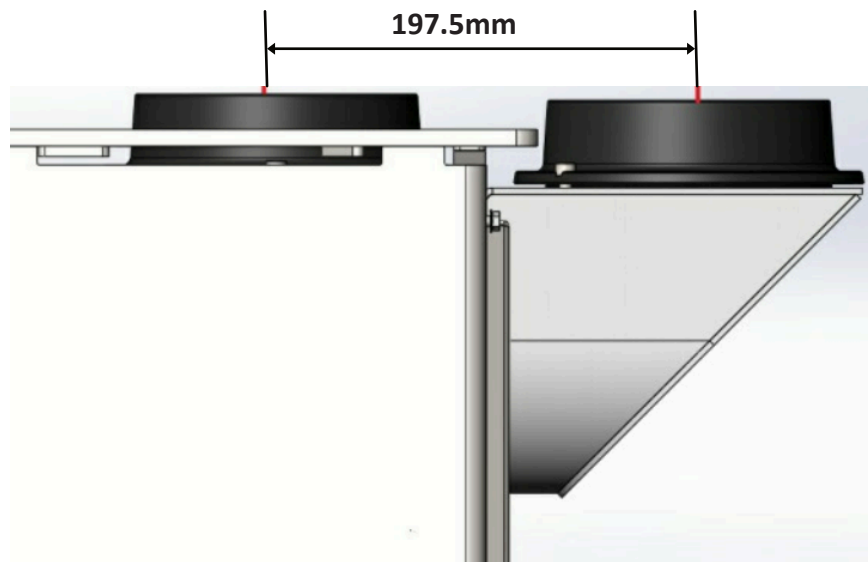
A physical retention of the flue pipe is required for both top and rear exit flue configurations.

- 1) Fit the flue pipe into the flue collar. Sealing with a suitable fire cement.
- 2) For a top flue outlet. Lift up and support the top plate allowing enough room to drill a hole through the flue collar and into the flue pipe.
- 3) Secure the collar and flue pipe with a suitably sized self tapping screw.



FITTING REAR TO VERTICAL FLUE COLLAR

- 1) Remove the knock out section in the rear convection panel.
- 2) Remove the flue collar off the top plate and the rear flue exit cover plate.
- 3) Place rear flue cover plate on to the top exit position and bolt down until firmly secured using existing bolts.
- 4) Attach the self adhesive flat rope seal on the vertical face of the rear Flue Vertical Extension and fit the flue collar to the exit of the adapter using 2 x nuts and bolts (supplied with adapter).
- 5) Place into position on the rear flue exit position of the stove. Using 2 x bolts to secure to the stove body.



INSULATED CHAMBERS

Beltane stoves are fitted with vermiculite heat deflection panels and baffles, which are essential to the clean burn process and ensure maximum efficiency. These baffles must only be removed for cleaning purposes.

Small hairline cracks will occur over time. This is a natural reaction to the heating and cooling cycle of the chamber bricks and does not affect performance. The panels should only be replaced when cracks begin to widen, the surface starts to degrade, or the bricks break down.

When adding fuel, place logs carefully into the fire chamber, as impact can cause further damage to the heat deflection panels.

FLUE AND CHIMNEY CONNECTION TO YOUR STOVE

The outlet from the chimney should be above the roof of the building, see page 6, in accordance with the provisions of Building Regulations Approved Document J. If installation is into an existing chimney then it must be sound and have no cracks or other faults which might allow fumes into the house. Older properties, especially, may have chimney faults or the cross section may be too large.

Beltane Stoves recommend the use of a solid fuel flue lining system for all installations into existing chimneys. All chimney systems must be used in accordance with Building Regulations Approved Document J.

If an existing chimney is used the chimney must be clear of obstruction and be swept clean immediately before installation of the stove. The chimney should be tested to confirm the chimney will provide the correct chimney pressure for the stove. If the stove is fitted in place of an open fire the chimney should be swept one month after installation to clear any soot falls which may have occurred due to the difference in combustion between the stove and the open fire. If there is no existing chimney then either a prefabricated block chimney in accordance with Building Regulations Approved Document J or a twin walled insulated stainless steel flue to BS 1856-1 may be used.

Insulated chimneys must be fitted in accordance with the manufacturer's instructions and Building Regulations. A single wall metal flue pipe is suitable for connecting the stove to the chimney but is not suitable for using for the complete chimney. The connecting flue pipe must have a minimum diameter of 125 mm and its dimension should be not less than the size of the outlet socket of the stove. Registered smoke exempt models burning wood only can be installed on a flue of 125mm throughout.

Any bend in the chimney or connecting flue pipe should not exceed 45°. 90 degree bends should not be used other than within 150 mm of stove rear flue outlet.

A chimney height of not less than 4.5 metres measured vertically from the outlet of the stove to the top of the chimney should be satisfactory. Alternatively the calculation procedure given in BS5854:1980 may be used as the basis for deciding whether a particular chimney design will provide sufficient draught.

If it is found that there is excessive draught in the chimney then either an adjustable flue damper or alternately a draught stabiliser should be fitted. The adjustable flue damper should not close off the flue entirely but should in its closed position leave a minimum continuous opening free area of at least 20 % of the total cross sectional area of the flue or flue pipe. Adequate provision e.g. easily accessible soot door or doors must be provided for sweeping the chimney and connecting flue pipe.

Your appliance needs to be maintained routinely, the throat plate/baffle should be cleaned regularly (monthly). The flue pipe can be cleaned using a flexible brush. Only use a dry cloth on external surfaces. Over time the glass may become dirty, clean with a damp cloth and polish off with dry cloth. If the stove has not been used for some time the flue should be checked for blockages before use. Do not modify the appliance; only use spares authorised by the manufacturer.

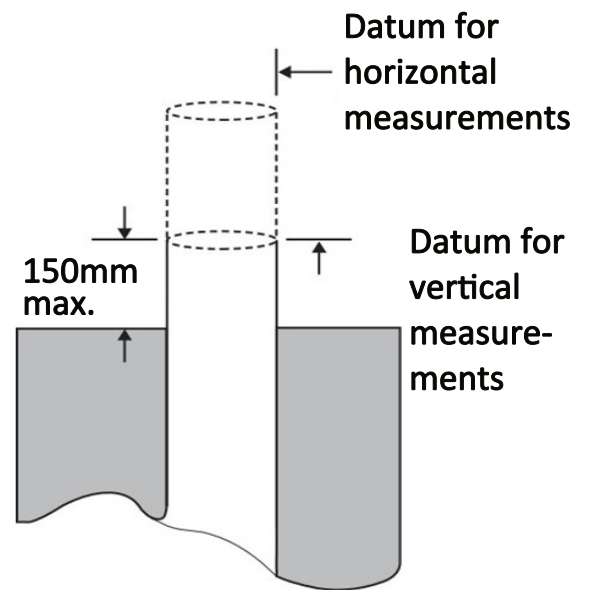
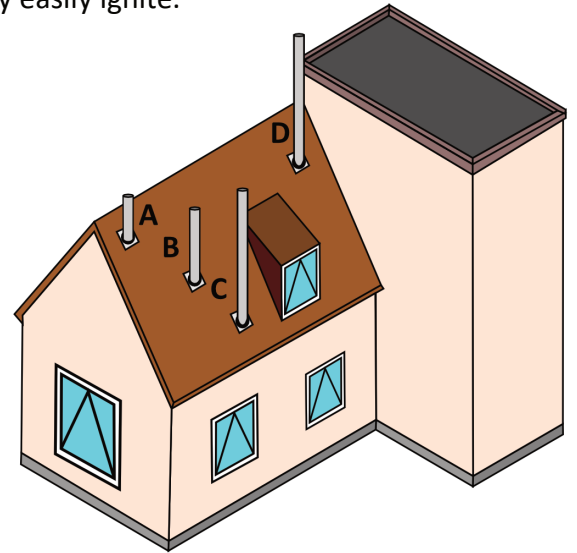
Commissioning Checks & Handover

1. Ensure loose parts are fitted in accordance with the instructions given in this manual.
2. On completion of the installation allow a suitable period of time for any fire cement and mortar to dry out. A small fire may be lit to check that smoke and fumes are taken from the stove up the chimney and emitted safely into the atmosphere and to ensure that the fire responds to the operation of the controls.
3. Do not run at full output for at least 24 hours.
4. On completion of the installation and commissioning ensure that the operating instructions for the stove are left with the customer.
5. Instruct the customer on the correct use of the appliance and the summer shut down procedure. The fuels likely to be used in the stove and notify them to use only the recommended fuels for the stove.
6. Advise the user what to do should smoke or fumes be emitted from the stove.
7. The customer should be warned to use a fireguard to BS6539 in the presence of children, aged and/or infirm persons. Also advise that children should not be allowed to operate or refuel the stove at any time.

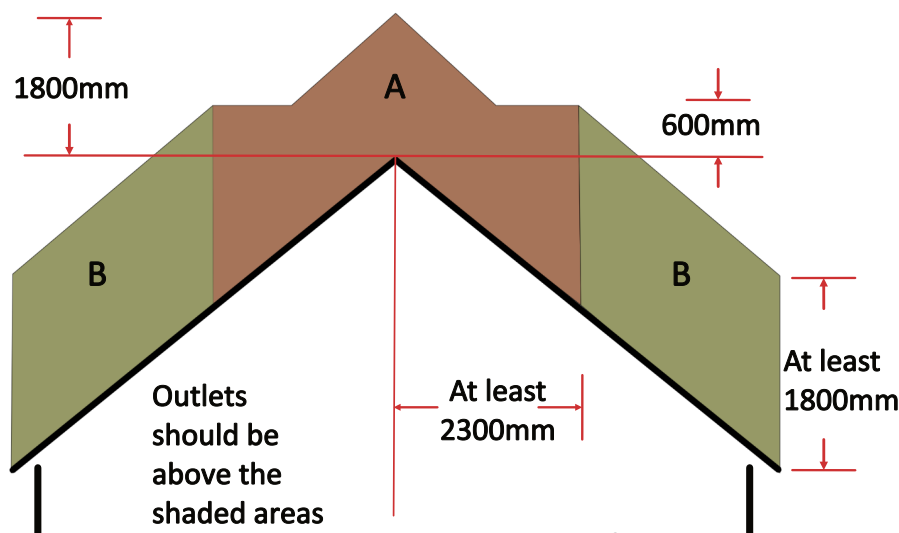
FLUE OUTLET POSITIONS

The flue outlet should be above the roof and in such a position where the products of combustion may be discharged freely whatever the wind direction. The discharged products of combustion must not present a fire hazard. Great care should be taken where the weather surface may easily ignite.

Point where flue passes through weather surface (Note 1,2)		Clearances to flue outlet
A	At or within 600mm of the ridge.	at least 600mm above the ridge
B	Elsewhere on a roof (pitched or flat)	At least 2300mm horizontally from the nearest point on the weather surface and: a) at least 1000mm above the highest point of intersection of the chimney and the weather surface: or b) at least as high as the ridge.
C	Below (on a pitched roof) or within 2300mm horizontally to an openable rooflight or other opening. (Note 3)	at least 100mm above the top of the opening.
D	Within 2300mm of an adjoining or adjacent building, whether or not beyond the boundary. (Note 3)	at least 600mm above the adjacent building.



Notes:
 1) The weather surface is the building external surface, such as its roof, tiles or external walls.
 2) A flat roof has a pitch less than 10°.
 3) The clearances given for A or B, as appropriate, will also apply.
 4) A vertical flue fixed to an outside wall should be treated as an equivalent to an inside flue emerging at the nearest edge of the roof.



Easily ignited roof covering

Area	Location of flue outlet
A	At least 1800mm above the weather surface and at least 600mm above the ridge
B	At least 1800mm vertically above the weather surface and at least 2300mm horizontally from the weather surface

STOVE PERFORMANCE & TESTING

CARY is tested in accordance with EN 16510. CARY is recommended as suitable for use in smoke control areas when burning wood logs and when fitted with a mechanical stop to prevent closure of the secondary/tertiary air control beyond :- .

	Output Wood	Efficiency wood /Coal	Recommended for smoke control	Mechanical air stop for SE Model	Mechanical stop on secondary
CARY Z2101	5.0 kW	83.9%	YES	YES	FITTED

	Log Length			Wood Reload	Weight wood load	Coal reload	Weight Coal (anthracite)
	Length	SE dimensions LxWxD cm	Logs				
CARY Z2101	35cm	25x14x11	1	1hr	1.2kg	N/A	N/A

Flue Draught

In order for the stove to perform satisfactorily the chimney height must be sufficient to ensure an adequate draught to clear the products of combustion and prevent smoke problems into the room.

Tested Gas flow rates flue gas temperatures	Flue gas flow rate Wood	Test Flue gas Temperature wood	Pascals Pressure
CARY Z2101 kW	3.8 b/sec	233 Deg C	12pa

Beltane	Output Range kW	CO@13%	Particulate matter @13% mg/nm3	Nox @13%	CxHy@13%	2022 Compliant
CARY Z2101	4-7	0.10	11	98	77	YES

Distance to Combustible materials

Combustible materials should not be located where the heat dissipating through the walls of fireplaces or flues could ignite it. Therefore when installing the stove in the presence of combustible materials due account must be taken of the guidance on the separation of combustible material given in Building Regulations Approved Document J and also in these stove instructions. The minimum distances to flammable materials are specified on the EN 16510 plate on the back of the stove.

STOVE	Distance to combustibles rear / rear with additional heat shield	Distance to combustibles sides	Suitable for 12mm hearth
CARY FREESTANDING	350mm	350mm	NO
CARY WITH RAISED STAND	350mm	350mm	YES

There are no European rules regarding the minimum distance to non-flammable walls, Beltane recommend leaving a gap of at least 10 cm behind and to the sides of stove.

HEARTH

The hearth should be able to accommodate the weight of the stove and its chimney if the chimney is not independently supported.

The **CARY FREESTANDING** Stove is **NOT** suitable for installation on a combustible floor.

This appliance must be installed on a standard constructional hearth in accordance with the requirements of Building Regulations Approved Document J and all applicable local regulations.

The **CARY WITH RAISED STAND IS** suitable for installation on a combustible floor, provided it is installed on a minimum 12mm thick non-combustible hearth in accordance with the appliance installation instructions and all applicable Building Regulations. The raised stand has been designed to provide the necessary separation between the appliance and the hearth surface. The area beneath the appliance and within the raised stand must be kept clear at all times.

Installation of all hearths should comply in size and construction so that it is in accordance with the provisions of the current Building Regulations Approved Document J. The clearance distances to combustible material beneath, surrounding or on the hearth and walls adjacent to the hearth should comply with the guidance on the separation of combustible material given in Building Regulations Approved Document J and also in these stove instructions. If the stove is to be installed k, in accordance with Building Regulations Approved Document J, to a distance of 30 cm in front of the stove and 15 cm to each side measuring from the door of the combustion chamber.

Combustion air supply:

In order for the stove to perform efficiently and safely there should be an adequate air supply into the room in which the stove is installed to provide combustion air. This is particularly necessary if the room is double-glazed or a flue draught stabiliser is operating in the same room as the appliance. The provision of air supply to the stove must be in accordance with current Building Regulations Approved Document J. An opening window is not appropriate for this purpose. Air inlets must be positioned in such a way that they cannot be blocked. An air inlet may be a vent (the vent must be open and the capacity for the vent sufficient when the stove is lit) .

Suitable fuels:

The Cary model is tested to burn wood , Wood briquettes can also be burnt but particular attention should be taken of the weight loaded, (Make sure the load weight for wood is used when burning compressed wood). For a full list of suitable fuels, check with the official solid fuels approvals body, HETAS or Solid Fuel Association. Do not overload stove as this can cause excessive heat and damage the stove.

ALWAYS KEEP FUEL LOAD BELOW TERTIARY PORTS AT REAR OF STOVE.

Only use fuels approved for use on heating stoves.

Do not burn liquid fuels, drift wood, finished wood, sawn wood, pallet wood, chipboard , plywood , varnished wood or plastic coated wood, wood treated with preservatives.

DO NOT EXCEED SPECIFIED FUEL WEIGHTS. DO NOT BURN HOUSE COAL.

DO NOT BURN PETROLEUM BASED FUELS SUCH AS PETROLEUM COKE (PET COKE). DO NOT BURN HOUSEHOLD WASTE, THIS APPLIANCE IS NOT AN INCINERATOR.

BELTANE RECOMMEND THE USE OF A FLUE THERMOSTAT TO CHECK YOUR STOVE IS NOT OVERHEATING. PLACE FLUE THERMOSTAT DIRECTLY ABOVE COLLAR OF STOVE AND REFER TO TEMPERATURE TABLE.

BURNING WOOD IN A SMOKE CONTROL AREA

You must purchase a smoke control version of the Beltane stove which is modified slightly to comply with regulations. Any change to this modification will invalidate the stoves compliance for smoke control areas.

“The Clean Air Act 1993 and Smoke Control Areas”

Under the Clean Air Act local authorities may declare the whole or part of the district of the authority to be a smoke control area. It is an offence to emit smoke from a chimney of a building, from a furnace or from any fixed boiler if located in a designated smoke control area. It is also an offence to acquire an "unauthorised fuel" for use within a smoke control area unless it is used in an "exempt" appliance ("exempted" from the controls which generally apply in the smoke control area). In England appliances are exempted by publication on a list by the Secretary of State in accordance with changes made to sections 20 and 21 of the Clean Air Act 1993 by section 15 of the Deregulation Act 2015. Similarly in Scotland appliances are exempted by publication on a list by Scottish Ministers under section 50 of the Regulatory Reform (Scotland) Act 2014. In Wales and Northern Ireland these are authorised by regulations made by Welsh Ministers and by the Department of the Environment respectively. Further information on the requirements of the Clean Air Act can be found here: <https://www.gov.uk/smoke-control-area-rules>

Your local authority is responsible for implementing the Clean Air Act 1993 including designation and supervision of smoke control areas and you can contact them for details of Clean Air Act requirements.

The Beltane Cary has been recommended as suitable for smoke control areas when burning wood logs.

Smoke exemption modification (SE model) : The Beltane Cary must be fitted with a permanent stop to prevent closure of the combustion air controller beyond 8mm open. All SE models are factory fitted with Air Stop to comply with the Smoke Exemption specification.

	Log Length			Wood Reload	Weight wood load	Wood moisture content
	Length	SE dimensions LxWxD cm	Logs			
CARY	35cm	25x14x11	1	1hr	1.2kg	< 20%

Only the specific SE models are suitable for smoke control areas, alterations should not be attempted. Beltane smoke control stoves should not be burnt with the door left open.

The refuelling procedure: Allow the newly charged fuel to burn with the secondary air control set at maximum for 3 to 4 minutes. After this period, with flames from the logs fully established, close the secondary air supply to the low output setting. When operating at high output (secondary air set fully open) the new refuel charge does not require any boost air to establish combustion.

Refuelling on to a low fire bed: If there is insufficient burning material in the firebed to light a new fuel charge, excessive smoke emission can occur. Refuelling must be carried out onto a sufficient quantity of glowing embers and ash that the new fuel charge will ignite in a reasonable period. If there are too few embers in the fire bed, add suitable kindling to prevent excessive smoke.

Operation with door left open: Operation with the door open can cause excess smoke. The appliance must not be operated with the appliance door left open except as directed in the instructions.

Dampers left open: Operation with the air controls or appliance dampers open can cause excess smoke. The appliance must not be operated with air controls, appliance dampers or door left open except as directed in the instructions.

Fuel Overloading: The maximum amount of fuel specified in this manual should not be exceeded, overloading can cause excess smoke.

OPERATING YOUR STOVE - CARY 5.0kW

The first (initial) lighting of your stove.

Before lighting your stove for the first time make sure you have read this manual fully and acquainted yourself with the controls of this appliance. (see page 13). Ensure that all packaging has been removed from the stove.

The heat-resistant paint on your stove will cure and harden the first time you light your appliance. The curing process produces a good deal of smoke and odour, it is therefore important that the first time you light your stove the room should be well ventilated. Once the heat-resistant paint has hardened the smell will disappear.

During the process it is important to open and close the stove door periodically (every 30 mins) during the first couple of firings therefore preventing the door seal cord around the door from sticking and coming away from the door. Your stove is NOT designed to be used with the door open, the stove door must be kept closed except when lighting the stove, adding firewood or removing ash in order to prevent flue gases from escaping.

Lighting your appliance

Quality Firelighters should be used when lighting the stove. (Never use methylated spirit, petrol or other flammable liquids). Lighting your stove with firelighters will be more reliable and easier than using paper.

TO LIGHT YOUR STOVE - Burning wood

Note: If the chimney is externally fitted or the stove has been installed on a larger diameter clay chimney liner then on cold days it maybe necessary to warm the flue using firelighters prior to lighting with wood.

1. Place a few smaller pieces of dry wood (kindling) in the stove on top of the non toxic firelighters, place one or two small dry split logs ($\frac{1}{4}$ split) on top.
2. Fully slide open the secondary air slider on right of stove. Slide fully open the primary air slider below the door on the left of the stove.
3. The stoves air controls are now fully open. Light the firelighters and push the door to closed position. Once the flames from the logs are fully established slide the primary air on left, push in to close, this closes off the primary air. If the stove begins to die when the primary is fully closed, open primary slider again until fire is established and then close.
4. Once established (this can be 10-15 mins) close the secondary air slider by 50%, for the stove to burn cleanly plenty of secondary air is needed. Do not be tempted to shut the fire down too early as this may cause smoke.
5. At nominal heat output, expect to refuel your stove approximately once an hour.

Check load weights for your model on the table on page 9. The stove will get very hot during use and due care must therefore be exercised. Please use the glove supplied when operating air controls and door. Never allow children to operate or refuel the stove.

RE-FUELLING - Burning wood

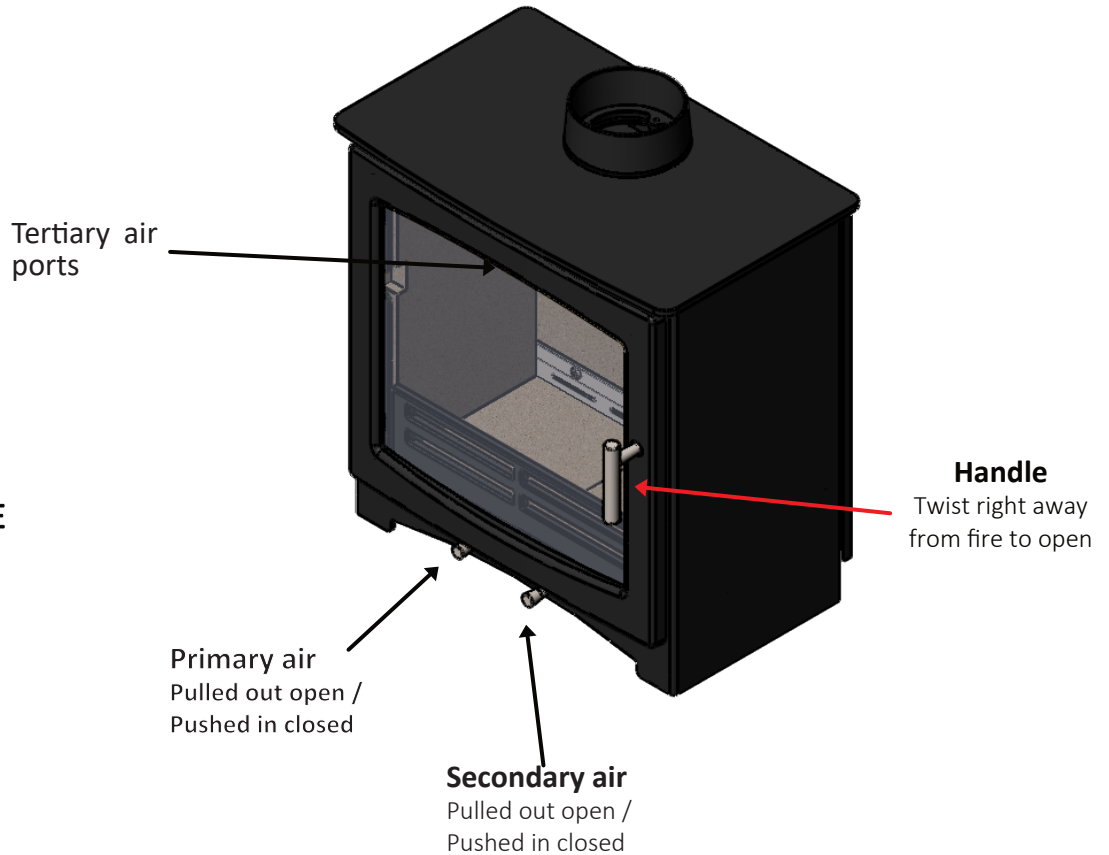
Only add fuel to your stove when you have just glowing embers, and the flames have died down, this is the most efficient way to refuel your stove.

1. Before refuelling fully open secondary air slider to allow extra oxygen into the chamber.
2. Open door gently to allow pressure to equalise.
3. Add two pieces of wood not more than 1.2 Kg in total
4. Close the door.
5. Once the flames from the logs are fully established the secondary air supply can be adjusted to the desired setting.

BELTANE CARY AIR CONTROLS

When lighting your stove fully open both the primary and secondary air controls. To aid starting you can also unlatch the door handle allowing extra combustion air into the stove. You should be able to fully latch the door once the fire has established.

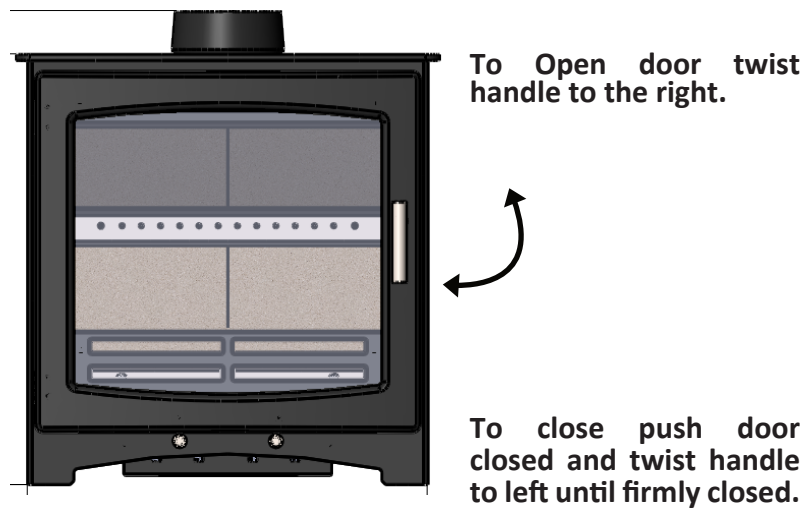
NEVER LEAVE A STOVE UNATTENDED WITH THE DOOR UNLATCHED



DOOR OPERATION

When re-loading, open the door wearing the heat protective Beltane glove.

The handle has twist motion. When shutting the door push the door closed and twist handle firmly until the door latches.



PARTS

Always use the glove provided when handling parts likely to be hot when the stove is in use.

The Stove has the following parts packed in the stove

1. Flue Collar
2. Stove glove
3. Instruction manual

MAINTENANCE

Beltane recommends that the Cary models have the ash removed from the stove at regular intervals (weekly if used daily). Allowing the ash to over flow can impede the function of the stove and can cause possible damage to the stove. Take care when removing ash, always wear a heat resistant glove. Make sure the stove is completely cold before cleaning out ash (embers can remain hot for over 24 hours). Ash must be stored in a non-combustible container and must not be mixed with other combustible waste.

Prolonged non use (summer)

If the stove is to be left unused for a prolonged period of time (e.g. over the summer) then it should be given a thorough clean to remove ash and un-burnt fuel residues. To enable a good flow of air through the appliance to reduce condensation and subsequent damage, leave the air controls fully open.

It is important that the flue connection, any appliance baffles or throat plates and the chimney are swept prior to lighting up after a prolonged shutdown period.

Annual service

The inside of the stove should be serviced /cleaned once a year. To clean the inside, remove all ash, soot and tar residue from the combustion chamber. Remove insulated chamber panels and baffle, dirt and soot will collect behind them and this must be cleaned out. Check the quality of all insulated panels and replace any which are damaged or cracked, replace stove door rope cord in the door. Check glass is correctly positioned.

The stove, the flue pipe connection and the chimney should be checked regularly by a qualified engineer. The chimney should also be checked for blockages before relighting the stove if it has not been used for an extended period of time. The paint/ lacquer can wear thin in exposed places due to overheating. This, and other lacquer damage, may be repaired using Beltane paint/lacquer spray available from your Beltane dealer.

To clean the outside of the stove use a dry cloth.

Warning Note

Properly installed, operated and maintained this stove will not emit fumes into the dwelling. Occasional fumes from de-ashing and re-fuelling may occur. However, persistent fume emission is potentially dangerous and must not be tolerated. If fume emission does persist, then the following immediate action should be taken:-

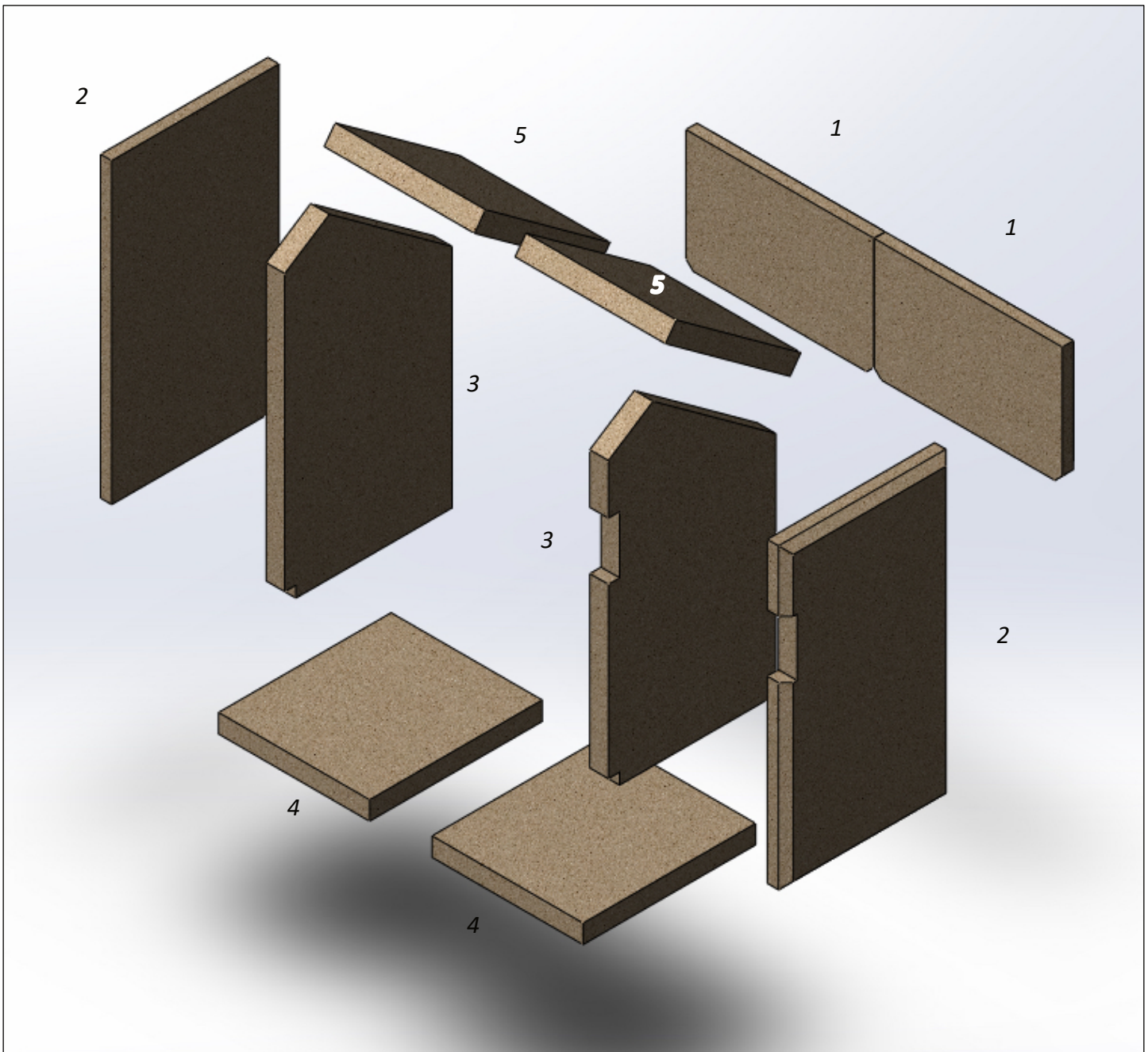
- (a) Open doors and windows to ventilate the room and then leave the premises.
- (b) Let the fire go out.
- (c) Check for flue or chimney blockage and clean if required.
- (d) Do not attempt to relight the fire until the cause of the fume emission has been identified and corrected.

If necessary seek expert advice.

The most common cause of fume emission is flueway or chimney blockage. For your own safety these must be kept clean at all times.

CO Alarm

Your installer should have fitted a CO alarm in the same room as the appliance. If the alarm sounds unexpectedly, follow the instructions given under "Warning Note" above.



ITEM NO.	PART NUMBER	DESCRIPTION	PARTS IN SET
1	B10502-02-23-99-00	REAR BRICK SET	2
2	B10502-02-87-99-00	SIDE OUTER BRICK SET	2
3	B10502-02-24-99-00	SIDE INNER BRICK SET	2
4	B10502-02-22-99-00	BASE BRICK SET	2
5	B10502-02-26-99-00	BAFFLE BRICK SET	2

TROUBLE SHOOTING

1. Fire will not burn - check

- a) the air inlet is not obstructed in any way,
- b) that chimney and flue ways are clear,
- c) that a suitable fuel is being used,
- d) that there is an adequate air supply into the room,
- e) that an extractor fan is not fitted in the same room as the fire.

2. Fire blazing out of control - check

- a) the doors are tightly closed.
- b) the air controls are turned down to the minimum setting.
- c) the flue damper is closed (if fitted).
- d) a suitable fuel is being used.
- e) the door seals are in good condition.
- f) the chimney draft may be too strong.
- g) check ash pan seal and
- h) check for ash below ash pan causing pan to seat incorrectly and clean out.

3) Soot forms on the window

- a) the fire wood may be too wet.
- b) the intake of secondary air may be insufficient.
- c) fire not hot enough.

4) The stove fails to heat fully

- a) The firewood / solid fuel may be too wet.
- b) the intake of secondary air may be insufficient.

5) Smoke or odour

- a) weak chimney draft.
- b) check for blockages in the flue pipe/chimney.
- c) check the height of the chimney relative to the surroundings.

6) Soot in the chimney

- a) the firewood / solid fuel may be too wet.
- b) intake of secondary air may be insufficient.

Chimney Fires

If the chimney is thoroughly and regularly swept, chimney fires should not occur. However, if a chimney fire does occur turn the air control setting to the minimum, and tightly close the doors of the stove. This should cause the chimney fire to go out in which case the control should be kept at the minimum setting until the fire in the stove has gone out. The chimney and flue ways should then be cleaned. If the chimney fire does not go out when the above action is taken then the fire brigade should be called immediately.

After a chimney fire the chimney should be carefully examined for any damage and expert advice should be sought if necessary.

Product End-of-Life/Recycling:

To dispose of the stove after the product life has expired, please observe the following information.

- Dispose of the items correctly i.e. separate the parts to be disposed of in material groups.
- Always dispose of items in a way that is as sustainable as possible and that is in line with the current environmental protection, reprocessing/recycling and disposal technology.



EN PLATE & ENERGY LABEL

Mendip 
Stoves

Unit H1, Mendip Ind Est,
Mendip road
Rooksbridge BS26 2UG

Manufacturer: Mendip Stoves Ltd
Cary,
Cary Logstore.
Model: Woodburning Stove
Type: BS EN 16510-1:201
Standard: Wood logs only
Fuel Type: 5.0 kW
Nominal Heat Output: A+
Energy Efficiency Class: 83.9%
Seasonal Efficiency: 233°C
Flue Gas Temperature: 0.10%
CO Emissions (13% O₂): 3.8g/s
Flue Gas Mass Flow: Ø125 mm
Smoke Outlet Diameter: 12 P
Draught Requirement: 20°C
Ambient Temp. Range: Distance to combustibles
Rear 350mm
Sides 350mm
Top 750mm
Front Hearth 300mm
Floor NOT suitable for
combustible hearth

Notified Body (CE/UKCA): CE 0962 /
Year of Manufacture: 2025

For intermittent burning only, Use only Specified fuels.
Not to be used on a shared flue. Year of certificate: 2023
(W) Please read and keep your instruction manual safe



BS EN 16510-1:201

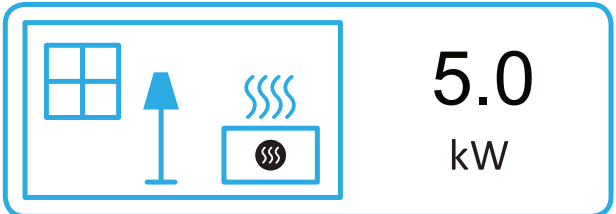
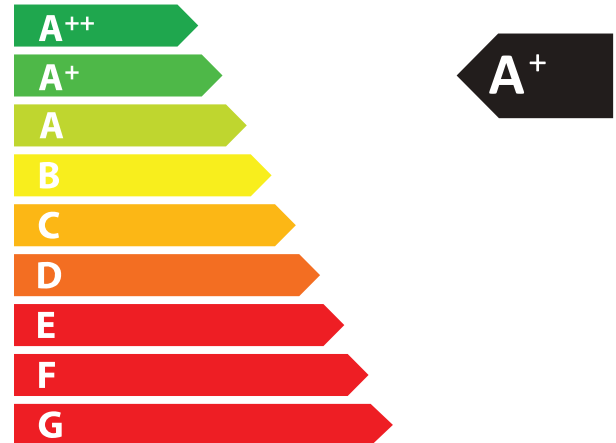
Serial Number:



ENERGY

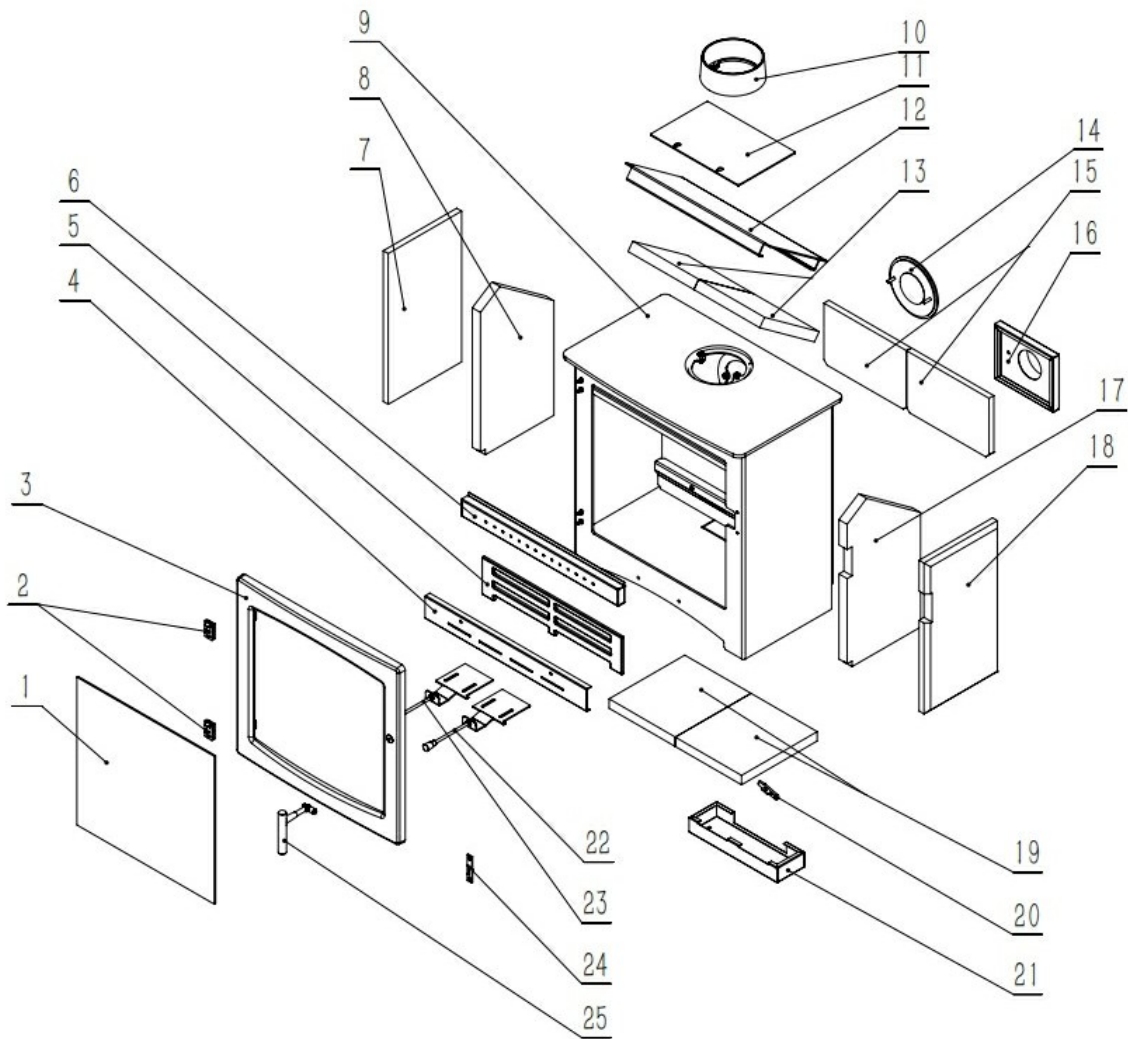
Beltane Stoves

CARY



2015/1186

STOVE PARTS



CODE	DESCRIPTION	1
1	DOOR GLASS	2
2	DOOR HINGES	1
3	CAST IRON DOOR	1
4	PRIMARY AIR PLATE	1
5	LOG RETAINER	1
6	TERTIARY AIR BAR	1
7	OUTER LEFT VERMICULITE	1
8	INNER LEFT VERMICULITE	1
9	STOVE BODY	1
10	125MM COLLAR	1
11	UPPER BAFFLE	1
12	BAFFLE SUPPORT PLATE	1
13	VERMICULITE BAFFLES	2
14	REAR COVER PLATE	1
15	REAR VERMICULITE PAIR	2
16	EXTERNAL AIR ADAPTER	1
17	OUTER RIGHT VERMICULITE	1
18	INNER RIGHT VERMICULITE	1
19	BASE VERMICULITE PAIR	2
20	LIMITING PLATE	1
21	EXTERNAL AIR BOX	1
22	PRIMARY AIR SLIDER	1
23	SECONDARY AIR SLIDER	1
24	LOCK PLATE ASSEMBLY	1
25	HANDLE	1



BELTANE STOVES

Beltane Stoves

**Eurostove Ltd, Unit H1,
Mendip Industrial Estate,
Mendip Road, Rooksbridge, Somerset
BS26 2UG**

Tel: 01934 750 500

www.eurostove.co.uk

E-mail : info@eurostove.co.uk

EUROSTOVE Ltd, CARY Z2101 MANUAL ECO-DESIGN VER 2

Code: