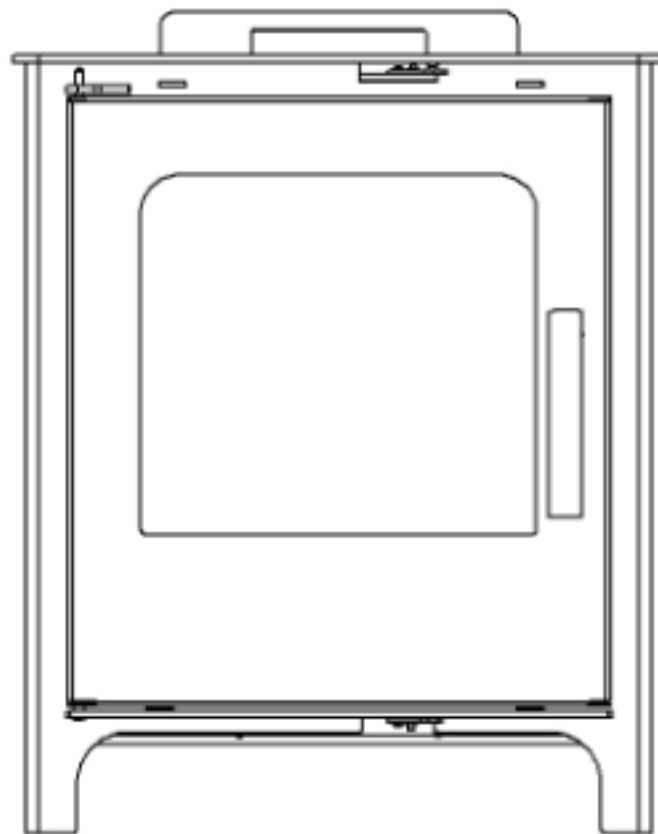




## OPERATION AND INSTALLATION MANUAL

Wood, Multi-fuel & SE models



**Chew Wood and Multi- fuel Stove**

**ECO-DESIGN**

**March 2024**

1 of 20

# Installation Manual and Operating instructions

## Chew 4.6 kW

This stove is tested in accordance with EN 13240.

Congratulations on your purchase of a new stove from Beltane Stoves. Please read this manual carefully to ensure that you get maximum enjoyment from your new stove and to help prevent any future problems. Please note that “all local regulations, including those referring to national and European Standards, need to be complied with when installing this appliance”. For further information on installing and using fireplaces and wood burning stoves, please see the relevant building regulations.

These instructions cover the basic principals to ensure the satisfactory installation for the Chew multi-fuel stove, although detail may need slight modification to suit particular local site conditions.

Beltane stoves are covered by a 2 year guarantee against manufacturing defects.

## HEALTH AND SAFETY PRECAUTIONS

---

### INFORMATION FOR THE USER, INSTALLER & SERVICE ENGINEER

---

Special care must be taken when installing the stove such that the requirements of the Health and Safety at Work Act are met.

#### Handling

Adequate facilities must be available for loading, unloading and site handling.

#### Fire Cement

Some types of fire cement are caustic and should not be allowed to come into contact with the skin. In case of contact wash immediately with plenty of water.

## PREPARATORY WORK AND SAFETY CHECKS

### IMPORTANT WARNING

This stove must not be installed into a chimney that serves any other heating appliance. There must not be an extractor fan fitted in the same room as the stove because this can cause the stove to emit fumes into the room.

#### Asbestos

This stove contains no asbestos. If there is a possibility of disturbing any asbestos in the course of installation then please seek specialist guidance and use appropriate protective equipment.

#### Metal Parts

When installing or servicing this stove care should be taken to avoid the possibility of personal injury.

#### CO Alarms:-

Building regulations require that when ever a new or replacement fixed solid fuel or wood/biomass appliance is installed in a dwelling a carbon monoxide alarm must be fitted in the same room as the appliance. Further guidance on the installation of the carbon monoxide alarm is available in BS EN 50292:2002 and from the alarm manufacturer’s instructions. Provision of an alarm must not be considered a substitute for either installing the appliance correctly or ensuring regular servicing and maintenance of the appliance and chimney system.

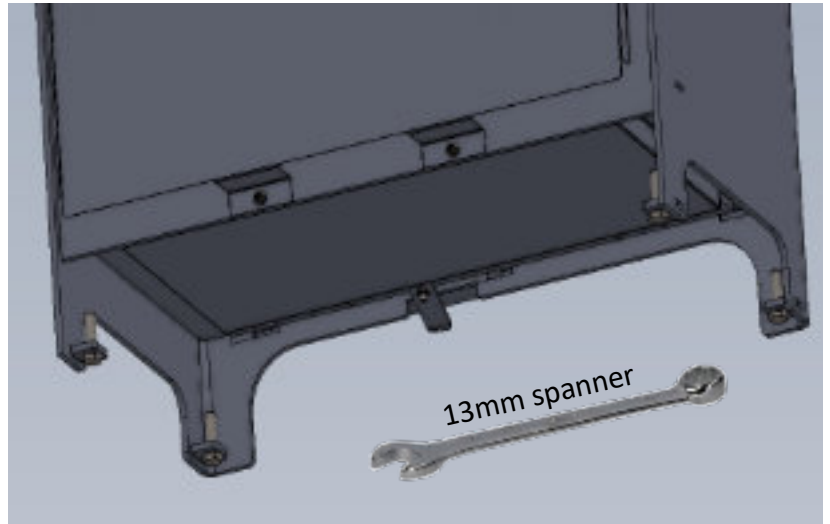
#### Stove paint aerosols

Paint aerosols are flammable and therefore dangerous to use around a lit stove. Be sure to allow aerosols spray paints to dry and ventilate the room well before lighting the stove. The use of any aerosol around a lit stove is dangerous and care must be take in handling aerosols.

# Installing the Beltane Chew stove

## Adjustable legs

The Beltane Chew multi-fuel stove is fitted with adjustable legs allowing the stove to be installed on an uneven floor. To adjust the legs, prior to installation, wind down M8 bolts using a 13mm spanner so they protrude just below the the stove legs. Tighten the locking nut once the desired level is reached. Do this with the stove tilted up from the leg being adjusted. Place the stove in position and level the stove. If the stove is to be placed on a glass floor plate it is necessary to use rubber feet so as not to scratch the glass plate. (This may cause the plate to shatter).



## Exchanging collar position from top to rear

The Beltane Chew is supplied with the top collar already installed, to exchange the collar from the top position to the rear take the following steps:

- 1) Lift off top plate.
- 2) Using a 4mm Allen key to remove the flue collar by unbolting from the body of the stove.
- 3) Break off tabs on rear convection panel and remove the laser cut section. To do this the rear convection panel does not need to be removed.
- 4) Remove rear cover plate from the rear flue position. Place this plate on the top exit flue position and secure down tightly using the bolts from the rear positions. The top cover plate will have a flat rope seal already fitted.
- 5) Fix the cast iron collar onto the rear outlet using the bolts that secured the collar originally.
- 6) Replace top plate.
- 7) Take the convection top cover plate, supplied with the stove, and place this in the hole in the top plate.



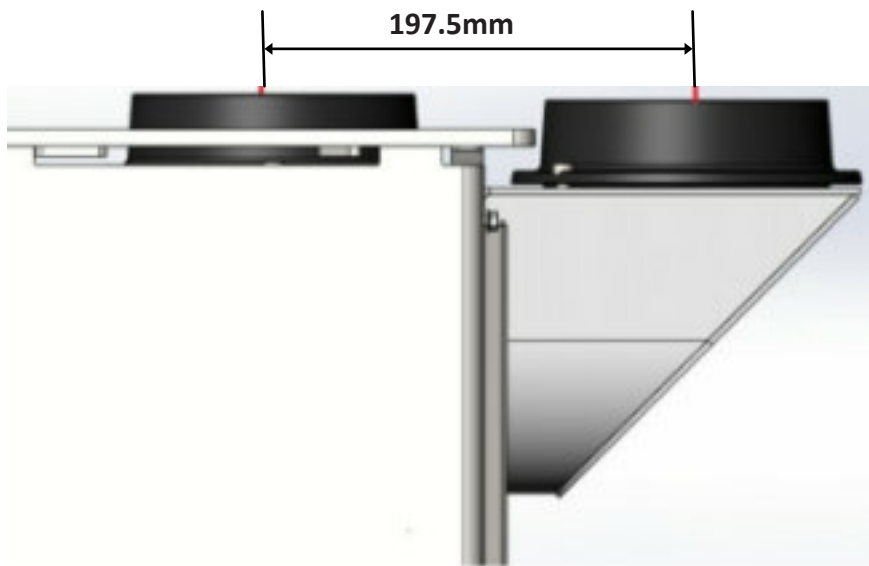
## Securing collar to flue pipe

A physical retention of the flue pipe is required for both top and rear exit flue configurations.

- 1) Fit the flue pipe into the flue collar. Sealing with a suitable fire cement.
- 2) For a top flue outlet. Lift up and support the top plate allowing enough room to drill a hole through the flue collar and into the flue pipe.
- 3) Secure the collar and flue pipe with a suitably sized self tapping screw.

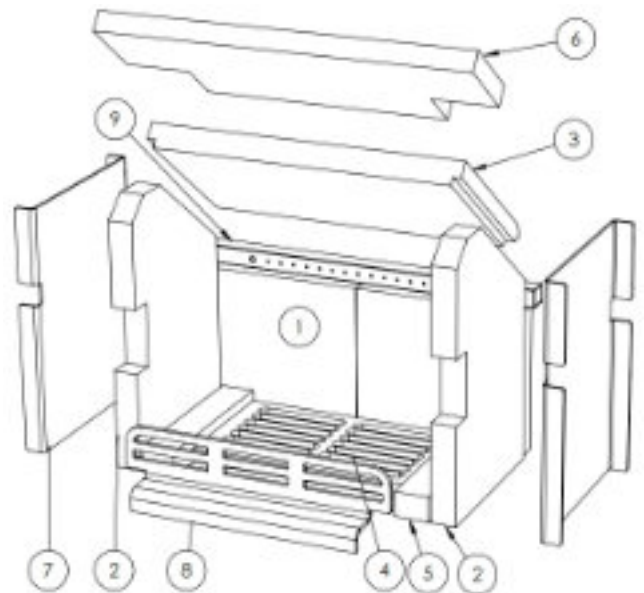
## Fitting rear to vertical flue collar kit

- 1) Remove the knock out section in the rear convection panel.
- 2) Remove the 8mm decorative convection top plate by lifting off.
- 3) Remove the flue collar and rear flue exit cover plate.
- 2) Place rear flue cover plate on to the top exit position and bolt down until firmly secured using existing bolts.
- 3) Attach the self adhesive flat rope seal on the vertical face of the rear Flue Vertical Extension and fit the flue collar to the exit of the adapter using 2 x 5mm nuts and bolts (supplied with adapter).
- 4) Place into position on the rear flue exit position of the stove. Using 2 x 5mm bolts to secure to the stove body.
- 5) Replace the top plate onto the stove, ensuring the plate fits snugly onto the locating lugs.
- 6) Take the convection top cover plate, supplied with the stove, and place this in the hole in the top plate.



## How to remove and install brick set

1. Remove log retainer
2. Remove base grate No. 4
3. Remove base bricks No. 5 (2 off)
4. Remove side brick left No. 2  
(Lift one side of baffle brick No. 3 to allow side brick to come out)
5. Remove baffle No. 3
6. Remove right side brick No. 2
7. Upper baffle No. 6 rests on 2 metal supports, lift baffle up and over lugs.
8. Remove rear bricks
9. The two metal side spacers No. 7 can now be removed
10. To refit the brick set follow these instructions in reverse



**Insulated chambers:** Beltane Stoves are lined with 30mm vermiculite heat deflection panels and baffles, these panels are designed to ensure maximum efficiency and are an integral part of the clean burn process of the stove. These baffles should not be removed other than for cleaning the stove. Any defective panels should be replaced. Carefully place fuel into the fire chamber of your stove, impact from logs can cause the heat deflection panels to crack.

## Flue and Chimney connection to your stove

The outlet from the chimney should be above the roof of the building, see page 6, in accordance with the provisions of Building Regulations Approved Document J. If installation is into an existing chimney then it must be sound and have no cracks or other faults which might allow fumes into the house. Older properties, especially, may have chimney faults or the cross section may be too large.

Beltane Stoves recommend the use of a solid fuel flue lining system for all installations into existing chimneys. All chimney systems must be used in accordance with Building Regulations Approved Document J.

If an existing chimney is used the chimney must be clear of obstruction and be swept clean immediately before installation of the stove. The chimney should be tested to confirm the chimney will provide the correct chimney pressure for the stove. If the stove is fitted in place of an open fire the chimney should be swept one month after installation to clear any soot falls which may have occurred due to the difference in combustion between the stove and the open fire. If there is no existing chimney then either a prefabricated block chimney in accordance with Building Regulations Approved Document J or a twin walled insulated stainless steel flue to BS 1856-1 may be used.

Insulated chimneys must be fitted in accordance with the manufacturer's instructions and Building Regulations. A single wall metal flue pipe is suitable for connecting the stove to the chimney but is not suitable for using for the complete chimney. The connecting flue pipe must have a minimum diameter of 125 mm and its dimension should be not less than the size of the outlet socket of the stove. Registered smoke exempt models burning wood only can be installed on a flue of 125mm throughout.

Any bend in the chimney or connecting flue pipe should not exceed 45°. 90 degree bends should not be used other than within 150 mm of stove rear flue outlet.

A chimney height of not less than 4.5 metres measured vertically from the outlet of the stove to the top of the chimney should be satisfactory. Alternatively the calculation procedure given in BS5854:1980 may be used as the basis for deciding whether a particular chimney design will provide sufficient draught.

If it is found that there is excessive draught in the chimney then either an adjustable flue damper or alternately a draught stabiliser should be fitted. The adjustable flue damper should not close off the flue entirely but should in its closed position leave a minimum continuous opening free area of at least 20 % of the total cross sectional area of the flue or flue pipe. Adequate provision e.g. easily accessible soot door or doors must be provided for sweeping the chimney and connecting flue pipe.

Your appliance needs to be maintained routinely, the throat plate/baffle should be cleaned regularly (monthly). The flue pipe can be cleaned using a flexible brush. Only use a dry cloth on external surfaces. Over time the glass may become dirty, clean with a damp cloth and polish off with dry cloth. If the stove has not been used for some time the flue should be checked for blockages before use. Do not modify the appliance; only use spares authorised by the manufacturer.

## Commissioning Checks & Handover

1. Ensure loose parts are fitted in accordance with the instructions given in this manual, page 4.
2. On completion of the installation allow a suitable period of time for any fire cement and mortar to dry out. A small fire may be lit to check that smoke and fumes are taken from the stove up the chimney and emitted safely into the atmosphere and to ensure that the fire responds to the operation of the controls.
3. Do not run at full output for at least 24 hours.
4. On completion of the installation and commissioning ensure that the operating instructions for the stove are left with the customer.
5. Instruct the customer on the correct use of the appliance and the summer shut down procedure. The fuels likely to be used in the stove and notify them to use only the recommended fuels for the stove.
6. Advise the user what to do should smoke or fumes be emitted from the stove.
7. The customer should be warned to use a fireguard to BS6539 in the presence of children, aged and/or infirm persons. Also advise that children should not be allowed to operate or refuel the stove at any time.

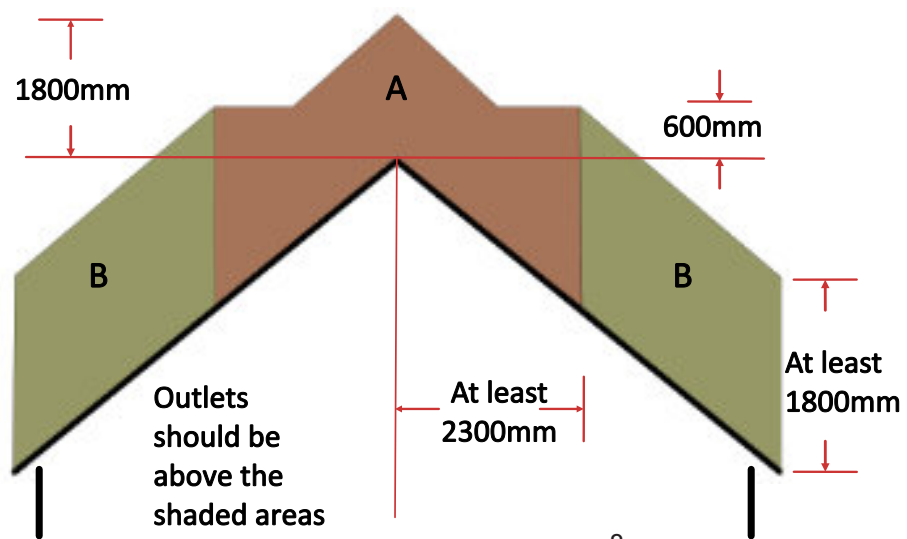
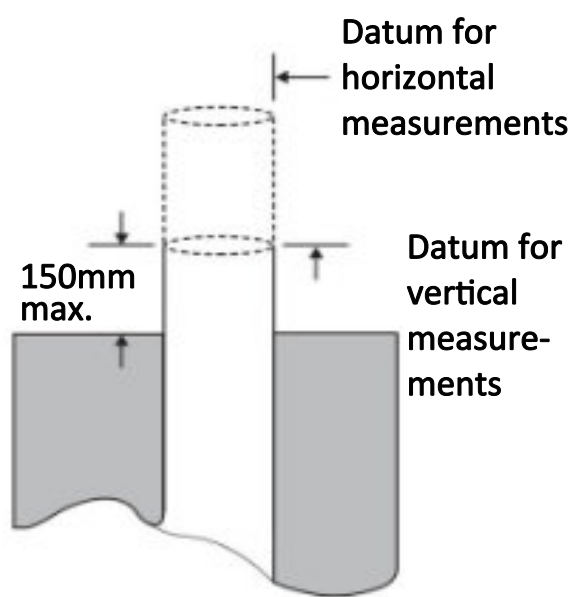
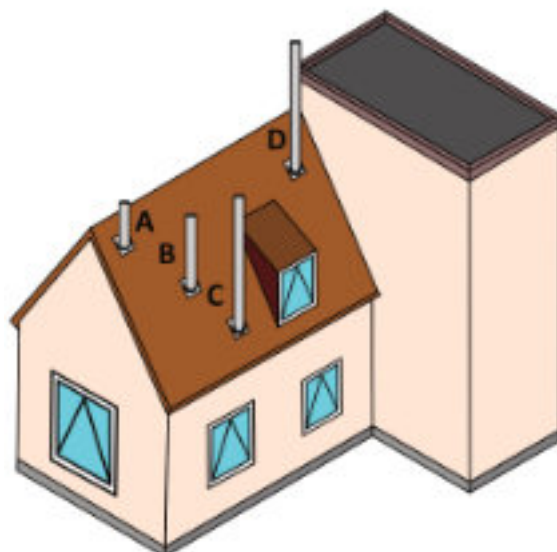
## Flue outlet positions

The flue outlet should be above the roof and in such a position where the products of combustion may be discharged freely whatever the wind direction. The discharged products of combustion must not present a fire hazard. Great care should be taken where the weather surface may easily ignite.

Point where flue passes through weather surface (Note 1,2)	Clearances to flue outlet
<b>A</b>	At or within 600mm of the ridge.
<b>B</b>	Elsewhere on a roof (pitched or flat)
<b>C</b>	Below (on a pitched roof) or within 2300mm horizontally to an openable rooflight or other opening. (Note 3)
<b>D</b>	Within 2300mm of an adjoining or adjacent building, whether or not beyond the boundary. (Note 3)

Notes:

- 1) The weather surface is the building external surface, such as its roof, tiles or external walls.
- 2) A flat roof has a pitch less than 10°.
- 3) The clearances given for A or B, as appropriate, will also apply.
- 4) A vertical flue fixed to an outside wall should be treated as an equivalent to an inside flue emerging at the nearest edge of the roof.



### Easily ignited roof covering

Area	Location of flue outlet
<b>A</b>	At least 1800mm above the weather surface and at least 600mm above the ridge
<b>B</b>	At least 1800mm vertically above the weather surface and at least 2300mm horizontally from the weather surface



## Stove Performance & Testing

Chew 4.6 is tested in accordance with EN 13240. Chew is recommended as suitable for use in smoke control areas when burning wood logs and when fitted with a mechanical stop to prevent closure of the secondary/tertiary air control beyond :- Chew -2.5mm or 13% open position.

	Output Wood /Coal	Efficiency wood /Coal	Recommended for smoke control	Mechanical air stop for SE Model	Mechanical stop on secondary
Chew 4.6 kW	4.6/ 4.9 kW	80.0/83.1%	YES	YES	13%/2.5mm

	Log Length			Wood Reload	Weight wood load	Coal reload	Weight Coal (anthracite)
	Length	SE dimensions LxWxD cm	Logs				
Chew 4.6 kW	35cm	25x14x11	1	1hr	1.2kg	2hr	1.4kg

### Flue Draught

In order for the stove to perform satisfactorily the chimney height must be sufficient to ensure an adequate draught to clear the products of combustion and prevent smoke problems into the room.

Tested Gas flow rates flue gas temperatures	Flue gas flow rate Wood /coal	Test Flue gas Temperature wood /coal	Pascals Pressure
Chew 4.6 kW	4.3 /4.7 b/sec	231/221 Deg C	12pa

Beltane	Output Range kW	CO@13%	Particulate matter @13% mg/nm3	Nox @13%	CxHy@13%	2022 Compliant
Chew	4-7	0.05(W)/ 0.08(C)	25	120	57	YES

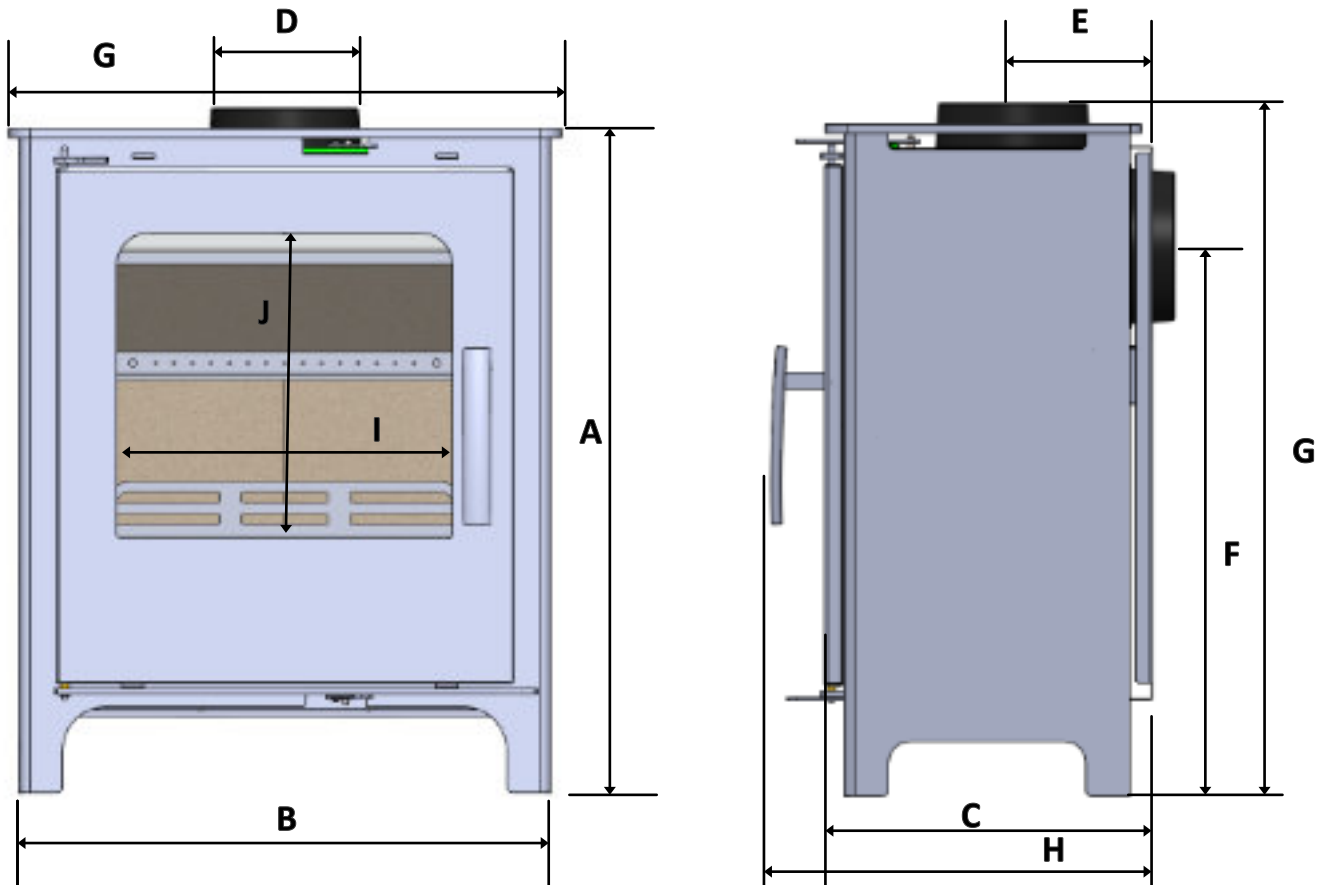
### Distance to Combustible materials

Combustible materials should not be located where the heat dissipating through the walls of fireplaces or flues could ignite it. Therefore when installing the stove in the presence of combustible materials due account must be taken of the guidance on the separation of combustible material given in Building Regulations Approved Document J and also in these stove instructions. The minimum distances to flammable materials are specified on the EN 13240 plate on the back of the stove.

Distance to combustibles rear / rear with additional heat shield	Distance to combustibles sides	Suitable for 12mm hearth
300mm /150mm	500mm	YES

There are no European rules regarding the minimum distance to non-flammable walls, Beltane recommend leaving a gap of at least 10 cm behind and to the sides of stove.

## Stove Dimensions



Chew 4.6 kW	A	B	C	D	E	F	G	H	I	J
	606mm	490mm	300mm	125mm	127mm	500mm	630mm	348mm	310mm	288mm

## Hearth

The hearth should be able to accommodate the weight of the stove and its chimney if the chimney is not independently supported. The Chew stove is tested and suitable to be installed on a 12 mm non combustible plate such as 12mm glass plates. Installation of all hearths should comply in size and construction so that it is in accordance with the provisions of the current Building Regulations Approved Document J. The clearance distances to combustible material beneath, surrounding or on the hearth and walls adjacent to the hearth should comply with the guidance on the separation of combustible material given in Building Regulations Approved Document J and also in these stove instructions. If the stove is to be installed on a wooden floor, it must be covered with a non-combustible material at least 12 mm thick, in accordance with Building Regulations Approved Document J, to a distance of 30 cm in front of the stove and 15 cm to each side measuring from the door of the combustion chamber.

## Combustion air supply

In order for the stove to perform efficiently and safely there should be an adequate air supply into the room in which the stove is installed to provide combustion air. This is particularly necessary if the room is double-glazed or a flue draught stabiliser is operating in the same room as the appliance. The provision of air supply to the stove must be in accordance with current Building Regulations Approved Document J. An opening window is not appropriate for this purpose. Air inlets must be positioned in such a way that they cannot be blocked. An air inlet may be a vent (the vent must be open and the capacity for the vent sufficient when the stove is lit) .



## Suitable fuels

The Chew models are tested to burn wood or registered smokeless coal. Wood briquettes can also be burnt but particular attention should be taken of the weight loaded, (Make sure the load weight for wood is used when burning compressed wood). For a full list of suitable fuels, check with the official solid fuels approvals body, HETAS or Solid Fuel Association. Do not overload stove as this can cause excessive heat and damage the stove (see table on page 10).

**ALWAYS KEEP FUEL LOAD BELOW TERTIARY PORTS AT REAR OF STOVE.**

**Only use fuels approved for use on heating stoves.**

**Do not burn liquid fuels, drift wood, finished wood, sawn wood, pallet wood, chipboard, plywood, varnished wood or plastic coated wood, wood treated with preservatives.**

**DO NOT EXCEED SPECIFIED FUEL WEIGHTS.**

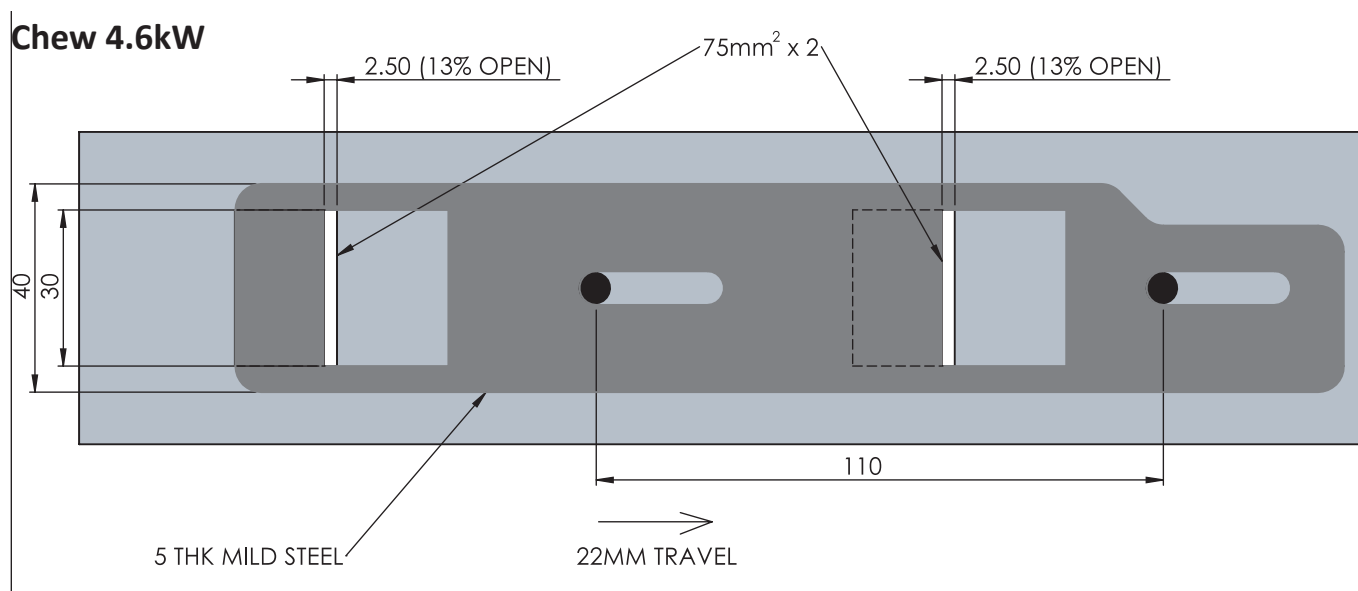
**DO NOT BURN HOUSE COAL.**

**DO NOT BURN PETROLEUM BASED FUELS SUCH AS PETROLEUM COKE (PETCOKE).**

**DO NOT BURN HOUSEHOLD WASTE, THIS APPLIANCE IS NOT AN INCINERATOR.**

**BELTANE RECOMMEND THE USE OF A FLUE THERMOSTAT TO CHECK YOUR STOVE IS NOT OVERHEATING. PLACE FLUE THERMOSTAT DIRECTLY ABOVE COLLAR OF STOVE AND REFER TO TEMPERATURE ON PAGE 6.**

## SE - Smoke exemption modification



## BURNING WOOD IN A SMOKE CONTROL AREA

You must purchase a smoke control version of the Beltane stove which is modified slightly to comply with regulations. Any change to this modification will invalidate the stoves compliance for smoke control areas.

### “The Clean Air Act 1993 and Smoke Control Areas”

Under the Clean Air Act local authorities may declare the whole or part of the district of the authority to be a smoke control area. It is an offence to emit smoke from a chimney of a building, from a furnace or from any fixed boiler if located in a designated smoke control area. It is also an offence to acquire an "unauthorised fuel" for use within a smoke control area unless it is used in an "exempt" appliance ("exempted" from the controls which generally apply in the smoke control area). In England appliances are exempted by publication on a list by the Secretary of State in accordance with changes made to sections 20 and 21 of the Clean Air Act 1993 by section 15 of the Deregulation Act 2015. Similarly in Scotland appliances are exempted by publication on a list by Scottish Ministers under section 50 of the Regulatory Reform (Scotland) Act 2014. In Wales and Northern Ireland these are authorised by regulations made by Welsh Ministers and by the Department of the Environment respectively. Further information on the requirements of the Clean Air Act can be found here: <https://www.gov.uk/smoke-control-area-rules>

Your local authority is responsible for implementing the Clean Air Act 1993 including designation and supervision of smoke control areas and you can contact them for details of Clean Air Act requirements.

	Log Length			Wood Reload	Weight wood load	Coal reload	Weight Coal (anthracite)
	Length	SE dimensions LxWxD cm	Logs				
Chew 4.6 kW	35cm	25x14x11	1	1hr	1.2kg	2hr	1.4kg

**Only specific SE models are suitable for smoke control areas, alterations should not be attempted.**

**Beltane smoke control stoves should not be burnt with the door left open.**

#### The refuelling procedure:

Allow the newly charged fuel to burn with the secondary air control set at maximum for 3 to 4 minutes. After this period, with flames from the logs fully established, close the secondary air supply to the low output setting. When operating at high output (secondary air set fully open) the new refuel charge does not require any boost air to establish combustion.

#### Refuelling on to a low fire bed:

If there is insufficient burning material in the firebed to light a new fuel charge, excessive smoke emission can occur. Refuelling must be carried out onto a sufficient quantity of glowing embers and ash that the new fuel charge will ignite in a reasonable period. If there are too few embers in the fire bed, add suitable kindling to prevent excessive smoke.

#### Operation with door left open:

Operation with the door open can cause excess smoke. The appliance must not be operated with the appliance door left open except as directed in the instructions.

#### Dampers left open:

Operation with the air controls or appliance dampers open can cause excess smoke. The appliance must not be operated with air controls, appliance dampers or door left open except as directed in the instructions.

#### Fuel Overloading:

The maximum amount of fuel specified in this manual should not be exceeded, overloading can cause excess smoke.

# Operating your stove- Chew 4.6kW

## The first (initial) lighting of your stove.

Before lighting your stove for the first time make sure you have read this manual fully and acquainted yourself with the controls of this appliance. (see page 13). Ensure that all packaging has been removed from the stove and that the ash pan is empty.

The heat-resistant paint on your stove will cure and harden the first time you light your appliance. The curing process produces a good deal of smoke and odour, it is therefore important that the first time you light your stove the room should be well ventilated. Once the heat-resistant paint has hardened the smell will disappear.

During the process it is important to open and close the stove door periodically (every 30 mins) during the first couple of firings therefore preventing the door seal cord around the door from sticking and coming away from the door. Your stove is NOT designed to be used with the door open, the stove door must be kept closed except when lighting the stove, adding firewood or removing ash in order to prevent flue gases from escaping.

### Lighting your appliance

Quality Firelighters should be used when lighting the stove. (Never use methylated spirit, petrol or other flammable liquids). Lighting your stove with firelighters will be more reliable and easier than using paper.

## TO LIGHT YOUR STOVE - Burning wood

**Note: If the chimney is externally fitted or the stove has been installed on a larger diameter clay chimney liner then on cold days it maybe necessary to warm the flue using firelighters prior to lighting with wood.**

1. Place a few smaller pieces of dry wood (kindling) in the stove on top of the non toxic firelighters, place one or two small dry split logs (¼ split) on top.
2. Fully slide open (to the left) the secondary air slider above the stove door. Slide fully to the left the primary air slider below the door of the stove.
3. The stoves air controls are now fully open. Light the firelighters and push the door to closed position. Once the flames from the logs are fully established slide the primary air to the right, this closes off the primary air. If the stove begins to die when the primary is fully closed, open primary slider again until fire is established and then close.
4. Once established (this can be 10-15 mins) close the secondary air slider by 50%, for the stove to burn cleanly plenty of secondary air is needed. Do not be tempted to shut the fire down too early as this may cause smoke.
5. At nominal heat output, expect to refuel your stove approximately once an hour.

Check load weights for your model on the table on page 5. The stove will get very hot during use and due care must therefore be exercised. Please use the glove supplied when operating air controls and door.

Never allow children to operate or refuel the stove.

## **RE-FUELLING - Burning wood**

**Only add fuel to your stove when you have just glowing embers, and the flames have died down, this is the most efficient way to refuel your stove.**

1. Before refuelling fully open secondary air slider to allow extra oxygen into the chamber.
2. Open door gently to allow pressure to equalise.
3. Add two pieces of wood not more than 1.2 Kg in total
4. Close the door.
5. Once the flames from the logs are fully established the secondary air supply can be adjusted to the desired setting.

## **TO LIGHT YOUR STOVE - Solid Fuel**

**Note:** on cold days it maybe necessary to warm the flue using two firelighters.

1. Place firelighters and a few smaller pieces of dry wood (kindling) among a small quantity of fuel in the combustion chamber.
2. Fully slide open (to the left) the secondary air slider above the stove door on right hand side. Slide fully to the left the primary air slider below the door of stove. The stove's air controls are now fully open. Light firelighters and securely close door.
3. With the fire established, open the door, and fill the chamber with fuel (see weight table on page 5). Do not overload. (Do not cover tertiary air ports, see diagram page 13). Reloading is approximately every 2 hours.
4. Close fire door, set primary air to 45% open and set secondary air to 40% open.
5. Adjust as necessary.

The stove is only suitable for intermittent use only: do not run overnight or for long periods unattended. Experience will determine the settings that produce best results. Use a flue thermostat to check the stove is not overheating. Flue thermostats should be placed directly above collar of the stove on a non insulated section of pipe. (efficient operating temperature range is between 100°C and 200°C) The stove will get very hot during use and due care must therefore be exercised.

Please use the glove supplied when operating air controls and door.

Never allow children to operate or refuel the stove.

## **RE-FUELLING - Solid fuel**

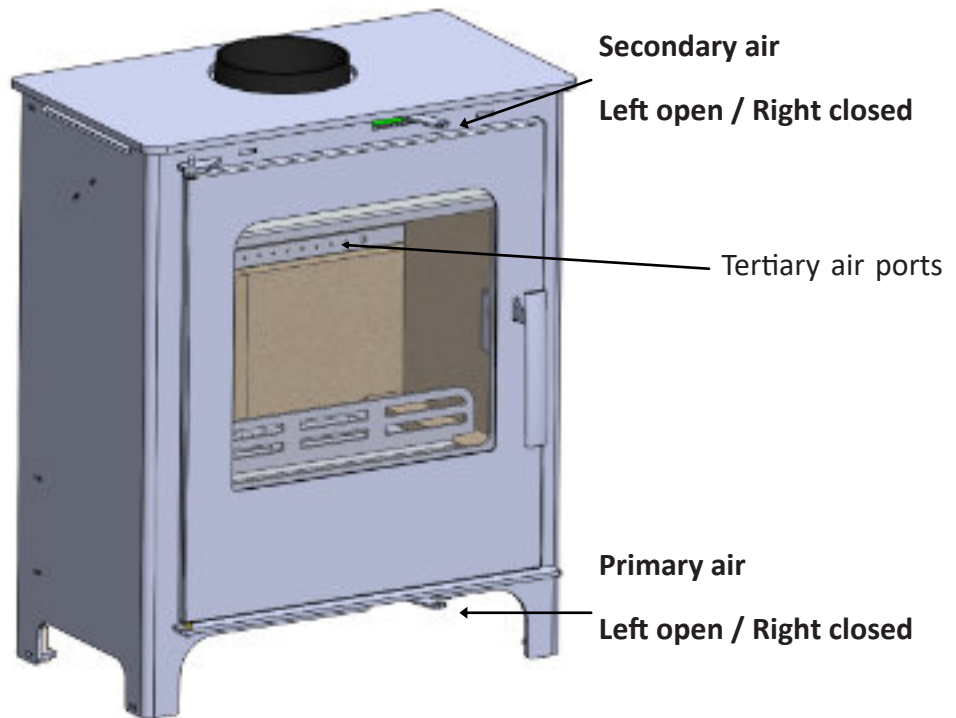
1. To re-fuel your stove.
2. Before refuelling, open secondary and primary air controls fully.
3. Open door gently to allow pressure to equalise, de-ash your stove with use of a poker. (not provided)
4. Add fuel to below tertiary airbar (see weight table on page 6) and close the door.

Leave the air controls open whilst fire is established. Set primary air to 45% open and set secondary air to 40% open.

## Beltane Chew Air Controls

When lighting your stove fully open both the primary and secondary air controls. To aid starting you can also unlatch the door handle allowing extra combustion air into the stove. You should be able to fully latch the door once the fire has established.

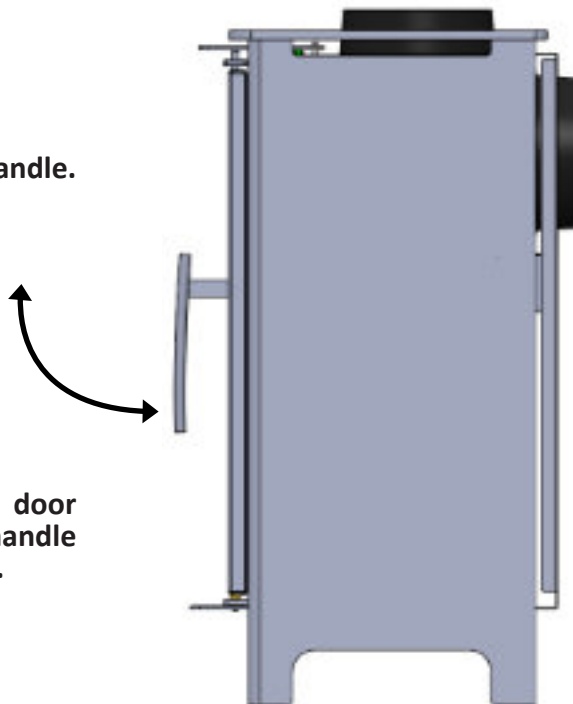
**NEVER LEAVE A STOVE UNATTENDED WITH THE DOOR UNLATCHED**



## DOOR OPERATION

To Open door lift handle.

To close push door closed and push handle down until latched.



**When re-loading, open the door wearing the heat protective Beltane glove.**

The handle has push / pull motion. When shutting the door push the door closed and push handle firmly until the door latches.

## PARTS

Always use the glove provided when handling parts likely to be hot when the stove is in use.

The Chew Stove has the following tool and parts packed in the stove

1. Stove glove
2. Instruction manual
3. Convection top cover plate
4. Ashpan Tool

Ashpan & Tool



## **Maintenance**

Beltane recommends that the Chew models have the ash removed from the stove at regular intervals (weekly if used daily). Allowing the ash pan to over flow can impede the function of the stove and can cause possible damage to the stove grate and ash pan. To remove the ash pan lift and pull out of firebox chamber. Take care to support ash pan during movement, always wear a heat resistant glove. Make sure the stove is completely cold before cleaning out ash (embers can remain hot for over 24 hours). Ash must be stored in a non-combustible container and must not be mixed with other combustible waste.

### **Prolonged non use (summer)**

If the stove is to be left unused for a prolonged period of time (e.g. over the summer) then it should be given a thorough clean to remove ash and un-burnt fuel residues. To enable a good flow of air through the appliance to reduce condensation and subsequent damage, leave the air controls fully open.

It is important that the flue connection, any appliance baffles or throat plates and the chimney are swept prior to lighting up after a prolonged shutdown period.

### **Annual service**

The inside of the stove should be serviced /cleaned once a year. To clean the inside, remove all ash, soot and tar residue from the combustion chamber. Remove insulated chamber panels and baffle, dirt and soot will collect behind them and this must be cleaned out. Check the quality of all insulated panels and replace any which are damaged or cracked, replace stove door rope cord in the door. Check glass is correctly positioned.

The stove, the flue pipe connection and the chimney should be checked regularly by a qualified engineer. The chimney should also be checked for blockages before relighting the stove if it has not been used for an extended period of time. The paint/ lacquer can wear thin in exposed places due to overheating. This, and other lacquer damage, may be repaired using Senotherm paint/lacquer spray available from your Beltane dealer.

To clean the outside of the stove use a dry cloth.

### **Warning Note**

Properly installed, operated and maintained this stove will not emit fumes into the dwelling. Occasional fumes from de-ashing and re-fuelling may occur. However, persistent fume emission is potentially dangerous and must not be tolerated. If fume emission does persist, then the following immediate action should be taken:-

- (a) Open doors and windows to ventilate the room and then leave the premises.
- (b) Let the fire go out.
- (c) Check for flue or chimney blockage and clean if required.
- (d) Do not attempt to relight the fire until the cause of the fume emission has been identified and corrected.

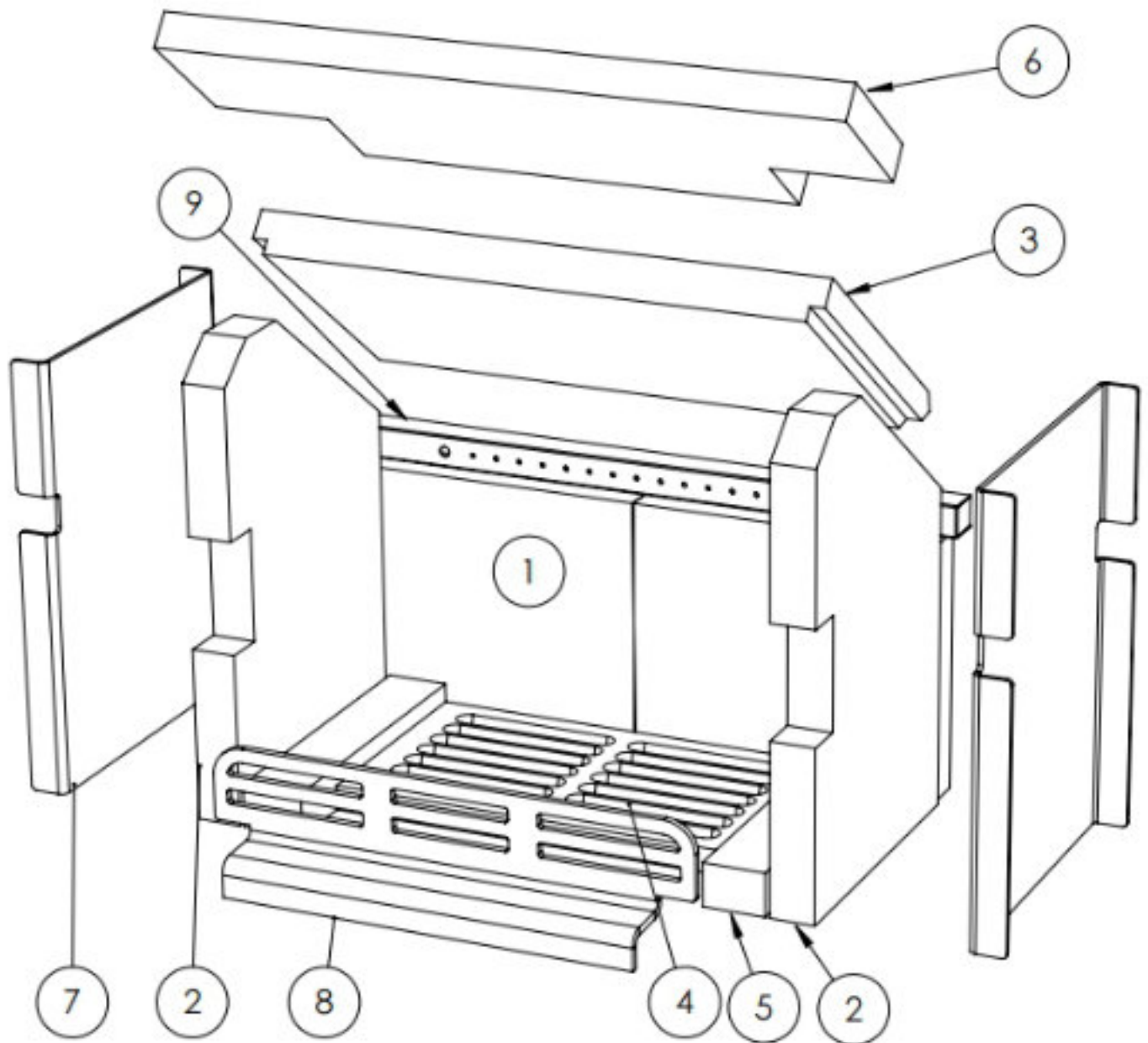
If necessary seek expert advice.

The most common cause of fume emission is flueway or chimney blockage. For your own safety these must be kept clean at all times.

### **CO Alarm**

Your installer should have fitted a CO alarm in the same room as the appliance. If the alarm sounds unexpectedly, follow the instructions given under "Warning Note" above.





ITEM NO.	PART NUMBER	DESCRIPTION	PARTS IN SET
1	B10500-02-03-99-01	REAR BRICK SET	2
2	M90028-02-24-99-01	SIDE BRICK SET	2
3	B10500-02-04-99-01	MAIN BAFFLE	1
4	M90500-05-01-00-00	CAST IRON GRATE	1
5	B10500-02-17-99-01	BASE BRICK SET	2
6	B10500-02-05-99-01	UPPER BAFFLE	1
7	B10500-02-71-99-00	SPACE PLATE SET	2
8	M-150-30-00-0-0	LOG RETAINER	1
9	B10501-11-10-30-00	TERTIARY AIR BAR ECO-DESIGN	1

## Trouble shooting

### 1. Fire will not burn - check

- a) the air inlet is not obstructed in any way,
- b) that chimney and flue ways are clear,
- c) that a suitable fuel is being used,
- d) that there is an adequate air supply into the room,
- e) that an extractor fan is not fitted in the same room as the fire.

### 2. Fire blazing out of control - check

- a) the doors are tightly closed.
- b) the air controls are turned down to the minimum setting.
- c) the flue damper is closed ( if fitted).
- d) a suitable fuel is being used.
- e) the door seals are in good condition.
- f) the chimney draft may be too strong.
- g) check ash pan seal and
- h) check for ash below ash pan causing pan to seat incorrectly and clean out.

### 3) Soot forms on the window

- a) the fire wood may be too wet.
- b) the intake of secondary air may be insufficient.
- c) fire not hot enough.

### 4) The stove fails to heat fully

- a) The firewood / solid fuel may be too wet.
- b) the intake of secondary air may be insufficient.

### 5) Smoke or odour

- a) weak chimney draft.
- b) check for blockages in the flue pipe/chimney.
- c) check the height of the chimney relative to the surroundings.



### 6) Soot in the chimney


- a) the firewood / solid fuel may be too wet.
- b) intake of secondary air may be insufficient.

## Chimney Fires

If the chimney is thoroughly and regularly swept, chimney fires should not occur. However, if a chimney fire does occur turn the air control setting to the minimum, and tightly close the doors of the stove. This should cause the chimney fire to go out in which case the control should be kept at the minimum setting until the fire in the stove has gone out. The chimney and flue ways should then be cleaned. If the chimney fire does not go out when the above action is taken then the fire brigade should be called immediately.

After a chimney fire the chimney should be carefully examined for any damage and expert advice should be sought if necessary.


		Eurostove Ltd Unit H2, Mendip Industrial Estate, Mendip Road, Rooksbridge. BS26 2UG UK
Name: Nom:	Chew	
Product Code: Code de produit:	B00501-00-00-00-01	
Nominal Output: W/A Puissance nominale: B/C	4.6Kw / 4.9kW	
Specified Fuels: Carburants précisés:	Wood / Ancit Bois / Charbon sans fumée	
Efficiency: W/A Rendement : B/C	80% / 83.1%	
CO Concentration at 13% O2: Concentration de CO à 13%	0.05% / 0.08%	
Distance to combustibles: Distance de sécurité:		
	Side/Latérales Rear/Arrière	500mm 300mm
D. to C Rear with Collar Heat Shield: Avec le bouclier thermique de collier::	150mm	
 BS EN 13240: 2001+A2:2004 For intermittent burning only. Use only Specified fuels. Not to be used on a shared flue. Year of certificate: 2019 Please read and keep your instruction manual safe W= wood A= ancit/smokeless coal N'utilisez que des combustibles précisés. Utilisation définie comme intermittent. Ne doit pas être installé dans une cheminée servant à d'autres appareils de chauffage. Certifié : 2019 Lisez ce manuel attentivement et assurez la sécurité de votre guide d'instructions. B =Bois C = Charbon sans fumée		
Serial No:	ESM <i>Serial No</i>	






ENERGY

Beltane Stoves
Chew

---



A<sup>+</sup>

4.6

kW

2015/1186



**Product End-of-Life/Recycling:**

To dispose of the stove after the product life has expired, please observe the following information.

- Dispose of the items correctly i.e. separate the parts to be disposed of in material groups.
- Always dispose of items in a way that is as sustainable as possible and that is in line with the current environmental protection, reprocessing/recycling and disposal technology.





# BELTANE STOVES

## **Beltane Stoves**

Eurostove Ltd, Unit H1,  
Mendip Industrial Estate,  
Mendip Road, Rooksbridge, Somerset  
BS26 2UG

Tel: 01934 750 500

[www.eurostove.co.uk](http://www.eurostove.co.uk)

E-mail : [info@eurostove.co.uk](mailto:info@eurostove.co.uk)

EUROSTOVE Ltd, CHEW MANUAL ECO-DESIGN VER 1.1 13 . 03. 2 0 24

Code: B90000-49-00-99-01



0 691046 762801