

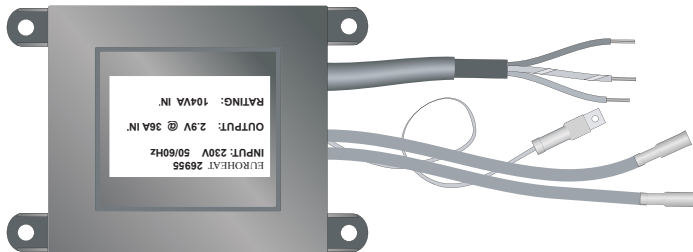


Technical Bulletin	TB179
Product Group	Spares
Edition No:	2
Date	02/2020

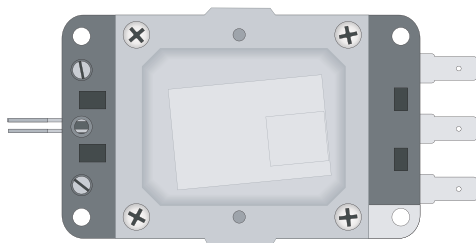
Transformer Identification and Replacement Instructions

Page Number 1

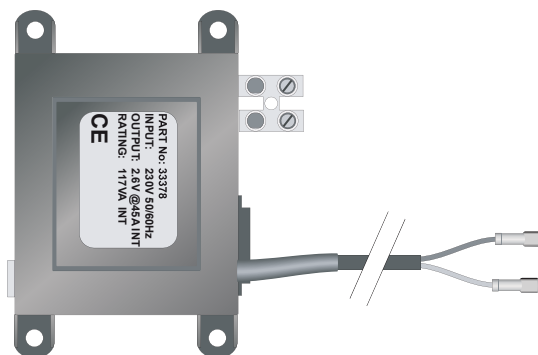
Since the introduction of electric ignition to the Efel Harmony and Nestor Martin range of vaporising oil burning stoves there have been three types of transformers used. They are now no longer available and have been replaced by a transformer kit. This kit has a new transformer and a relevant bracket and lead to enable them to be fitted.



Transformer:	Mark 1
Part No:	MS0115
Description:	Page 2
Replacement Kit:	37932
Kit Components:	Page 3
Fitting Instructions:	Page 4-5



Transformer:	Mark 2
Part No:	30721
Description:	Page 6
Replacement Kit:	37932
Kit Components:	Page 7
Fitting Instructions:	Page 9-11



Transformer:	Mark 3
Part No:	38759
Description:	Page 11
Replacement Kit:	37932
Kit Components:	Page 12
Fitting Instructions:	Page 12

WARNING:

The stove must be disconnected from any power supply before commencing any work on the appliance. Any work should only be undertaken by a suitably qualified engineer and they must ensure that all current guidelines and regulations are adhered to.



Technical Bulletin	TB179
Product Group	Spares
Edition No:	2
Date	02/2020

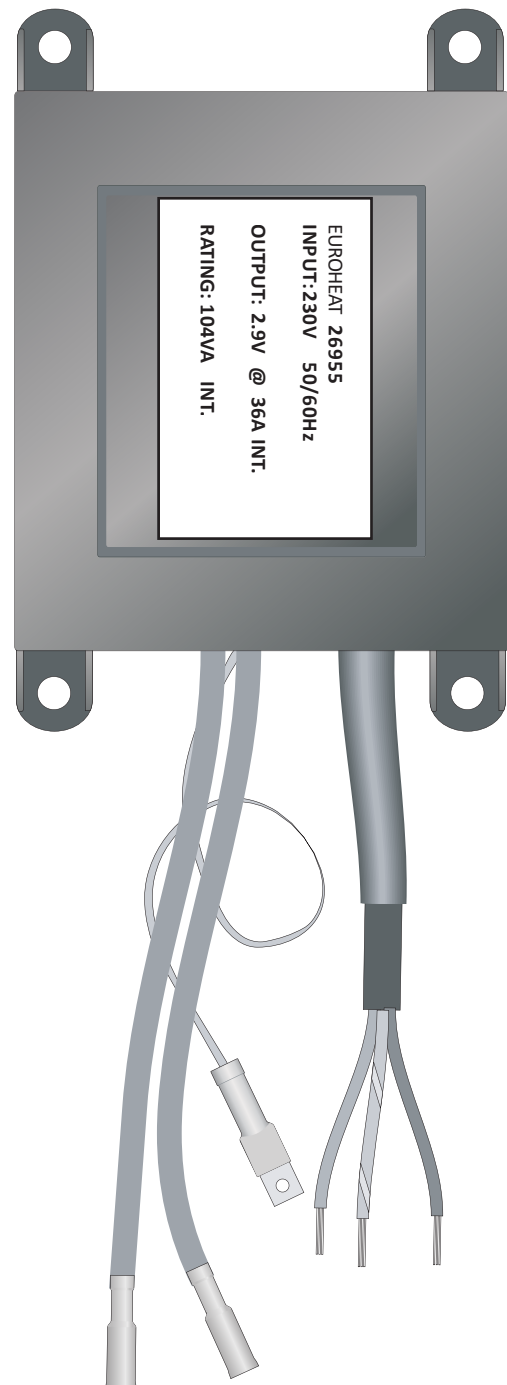
Transformer Identification and Replacement Instructions Mark 1 Transformer MS0115

Page Number 2

The Mark 1 transformer, MS0115, was fitted to the rear heat shield of the Harmony I, II & III from May 1996 until March 1998. On the Harmony III Thermal model they were fitted from September 1998 until December 2002. They were fitted with a run back timer, MS10000, for ease of ignition. This transformer is no longer available and the transformer kit MS1120 should be used, see pages 3 to 5 for the kit components and wiring diagram and installation instructions.

EUROHEAT 26955
INPUT: 230V 50/60Hz
OUTPUT: 2.9V @ 36A INT.
RATING: 104VA INT.

Run Back Timer MS10000





Technical Bulletin	TB179
Product Group	Spares
Edition No:	2
Date	02/2020

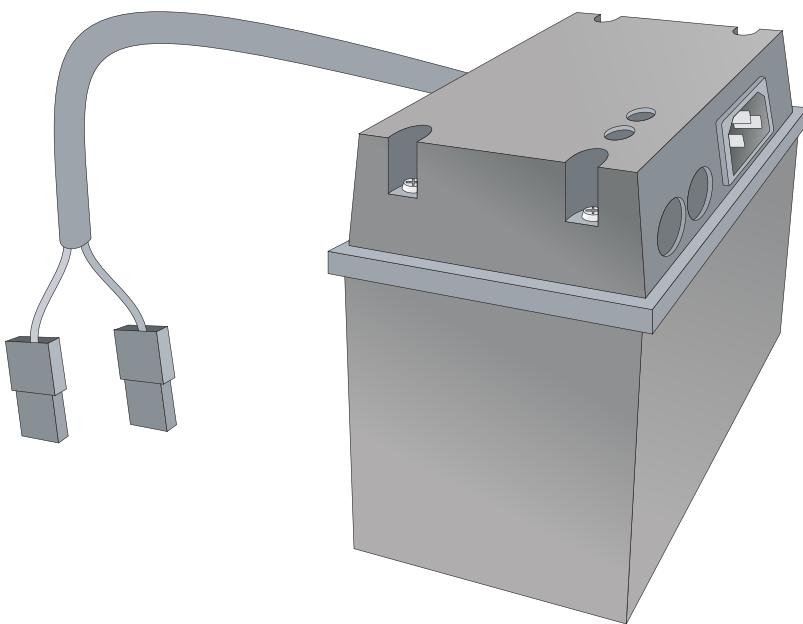
Transformer Identification and Replacement Instructions
Transformer Kit MS1120

Page Number 3

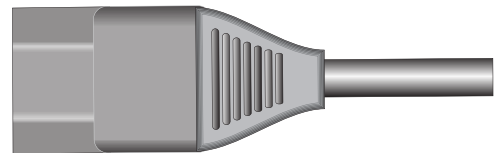
This transformer kit has been designed with a special adapter plate to replace all the other previous transformers.

The kit comprises of:

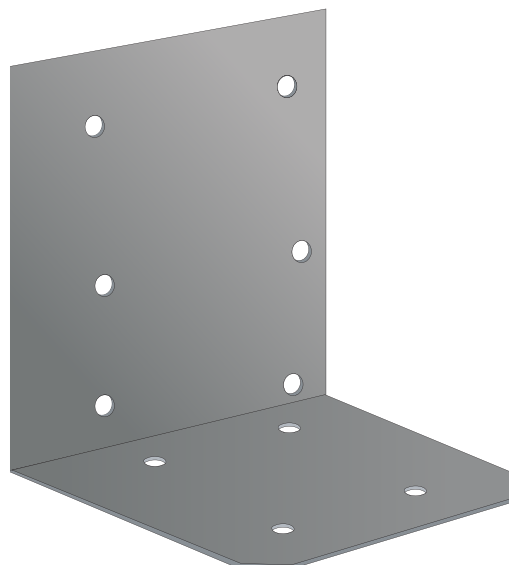
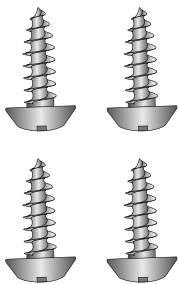
Transformer 37932



**Kettle Lead Power Cord
31756**



Transformer mounting bracket





Technical Bulletin	TB179
Product Group	Spares
Edition No:	2
Date	02/2020

Transformer Identification and Replacement Instructions

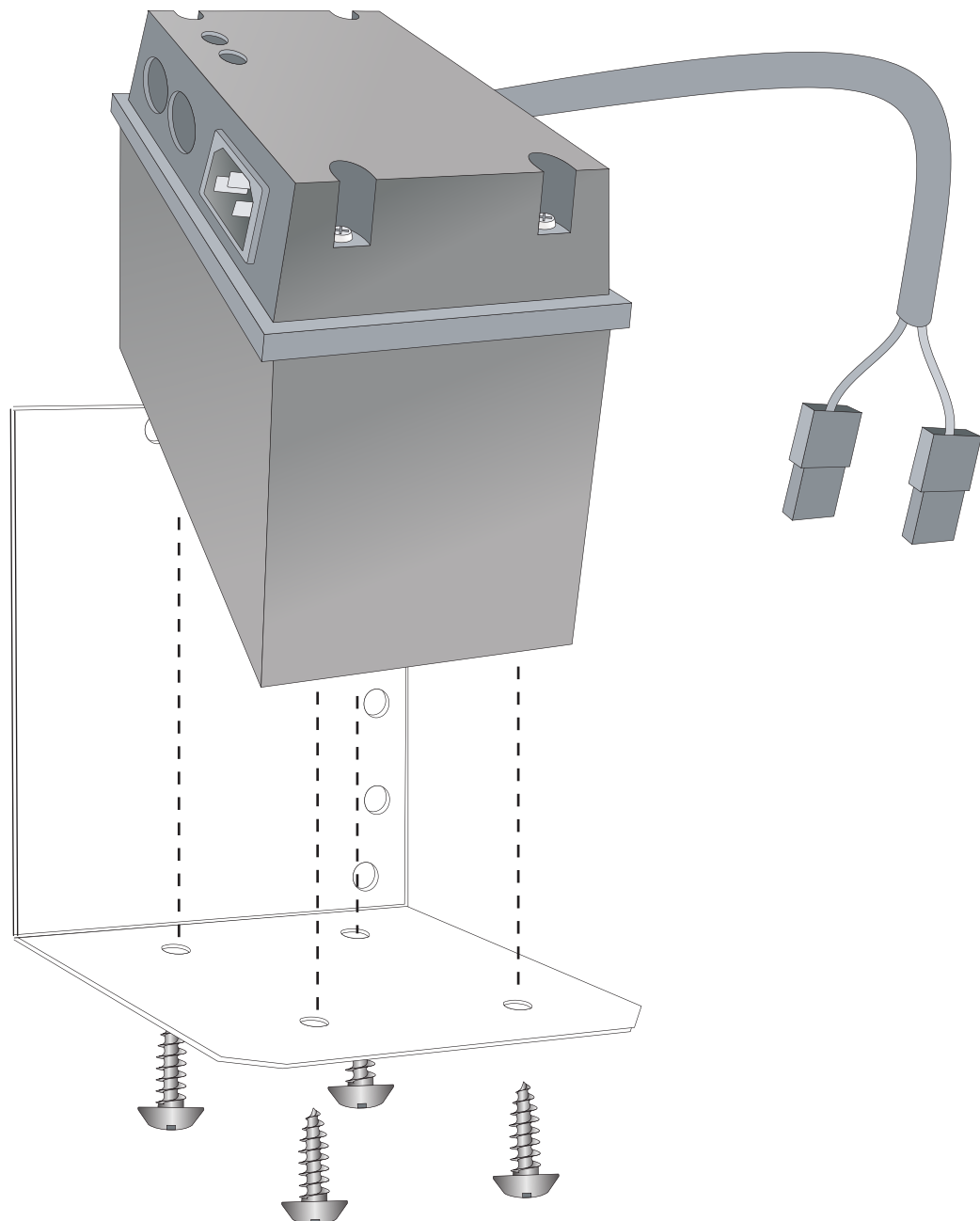
Transformer Kit MS1120

Page Number 4

Installation of the transformer kit MS1120 to replace a Mark 1 (MS0115) transformer with a run back timer.

- 1) Disconnect the power supply to the stove.
- 2) Remove the igniter wires from the old transformer.
- 3) Remove the old transformer from the back panel of the stove.
- 4) Secure the mounting bracket to the back panel.

Fig. 1





Technical Bulletin	TB179
Product Group	Spares
Edition No:	2
Date	02/2020

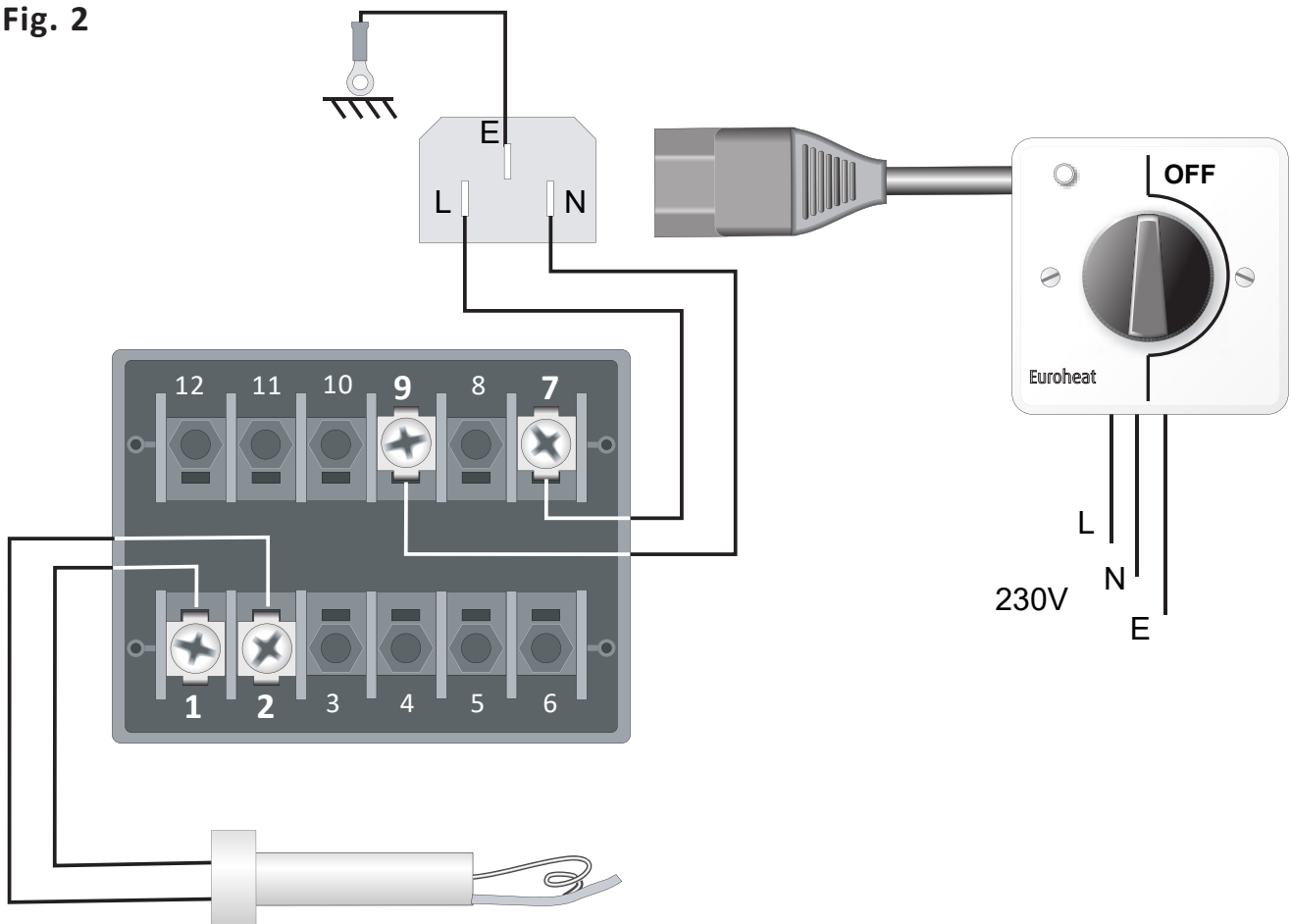
Transformer Identification and Replacement Instructions Transformer Kit MS1120

Page Number 5

- 5) Remove the wiring from the run back timer to the old transformer and replace with the power cord with the kettle lead plug. The three pin plug end will need removing from the kettle lead and the wires prepared to be fitted to the run back timer.
- 6) Fix the transformer to the transformer mounting plate with the screws provided, Figure 1.
- 7) Reconnect the two igniter wires.
- 8) Re-establish the power supply and set the run back timer, ensure that the igniter glows bright orange.

Schematic wiring diagram for transformer controlled by a run back timer

Fig. 2





Technical Bulletin	TB179
Product Group	Spares
Edition No:	2
Date	02/2020

Transformer Identification and Replacement Instructions Mark 2 Transformer 30721

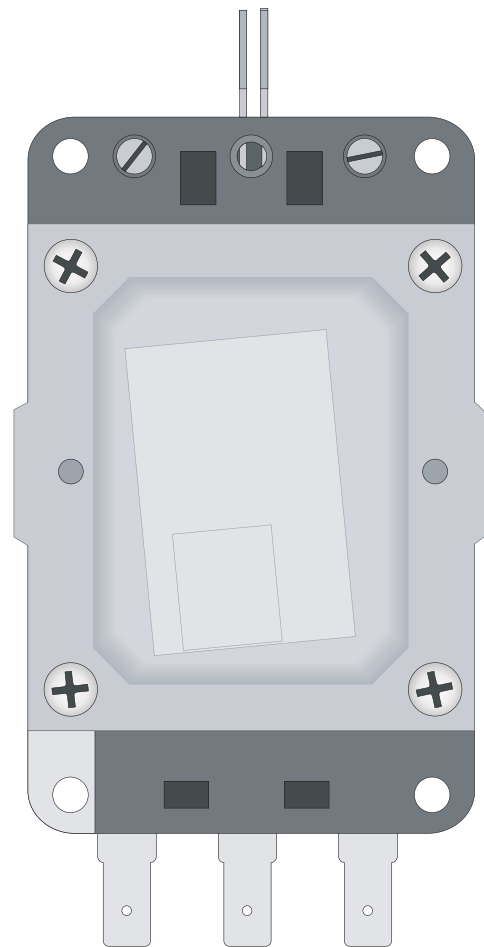
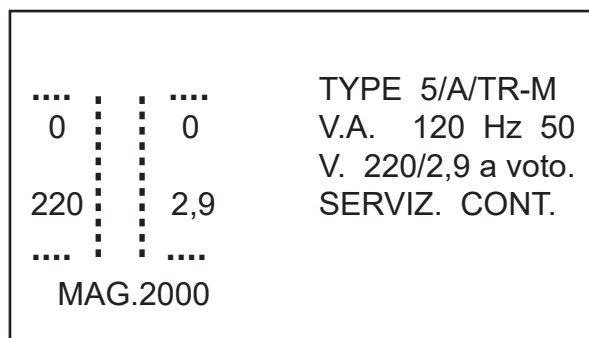
Page Number 6

The Mark 2 transformer, 30721, was fitted to Harmony I, II and III, from June 1998 and the first models of the Harmony 5 until April 2002. Also the Nestor Martin Hearth and Oxford oil stoves.

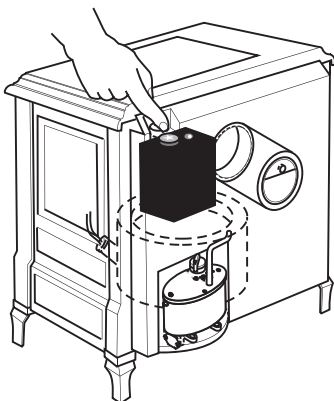
The transformer is fitted inside a metal case with a push button switch either on the outside of the case or on the Harmony 5 and the Harmony III, non boiler stoves, on the right hand side of the rear heat shield.

This transformer is no longer available and the transformer kit 37932 should be used, see pages to 11.

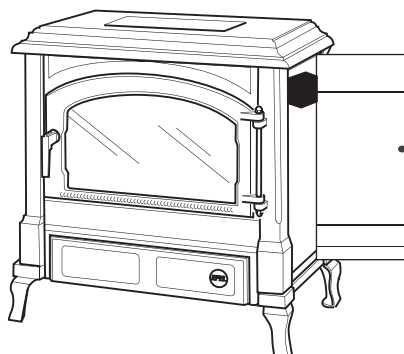
For the Nestor Martin Hearth stoves see page 10.



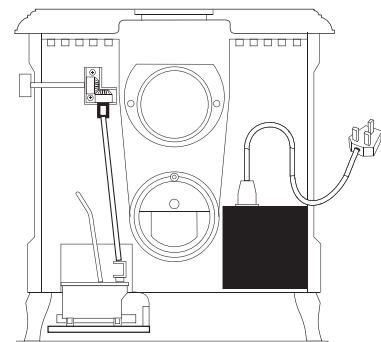
Harmony I & II



Harmony III & Coachman boiler models



Harmony 5





Technical Bulletin	TB179
Product Group	Spares
Edition No:	2
Date	02/2020

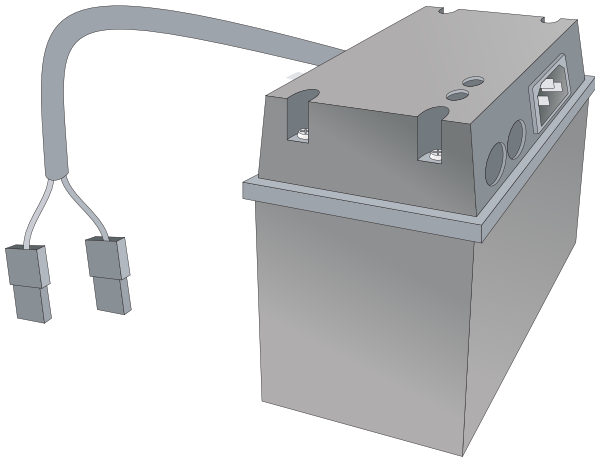
Transformer Identification and Replacement Instructions Transformer Kit 37932

Page Number 7

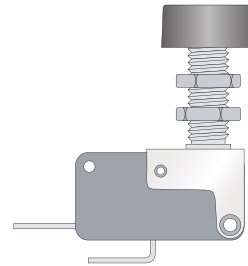
This transformer kit has been designed with a special adapter plate to replace all the other previous transformers. Where the Mark 2 transformer (26794), fitted into a metal case, is to be replaced the complete metal case should be removed the old transformer removed then the case refitted and the transformer replaced by the kit 37932.

The kit comprises of:

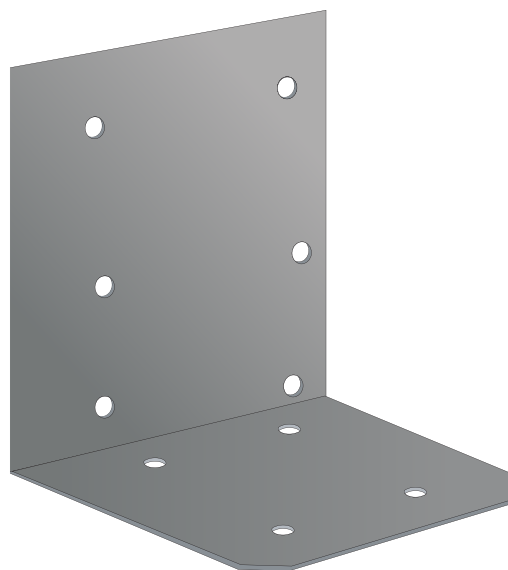
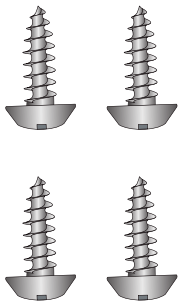
Transformer



Push button switch,
use the original fitted
to the stove



Transformer Mounting Bracket





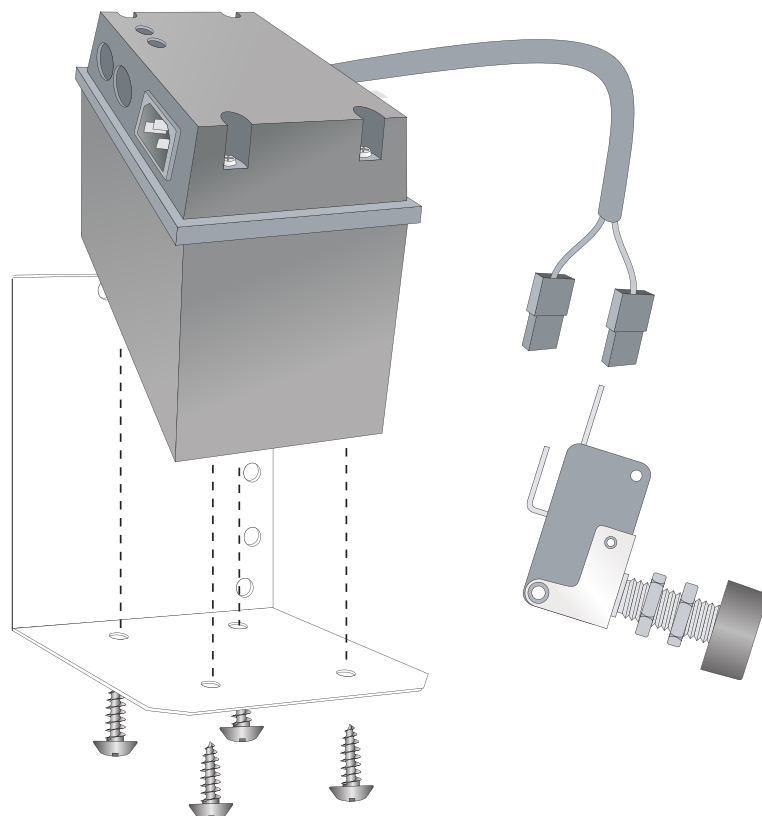
Technical Bulletin	TB179
Product Group	Spares
Edition No:	2
Date	02/2020

Transformer Identification and Replacement Instructions For Transformer Kit 37932

Page Number 8

- 1) Disconnect the power supply to the stove.
- 2) Remove the igniter wires from the old transformer.
- 3) Remove the complete transformer box from the back panel of the stove.
- 4) Take out the transformer but leave in the push button switch.
- 5) Fit the wires from the new transformer to the push button switch.
- 6) Refit the transformer box to the rear heat shield.
- 7) Fit the transformer mounting bracket to the back of the stove.
- 8) Fix the transformer to the mounting bracket, Figure 5.
- 9) Reconnect the two wires from the igniter.
- 10) Reconnect the power cord and turn on the power supply.
- 11) Press the push button switch and ensure the igniter glows bright orange.

Fig. 5





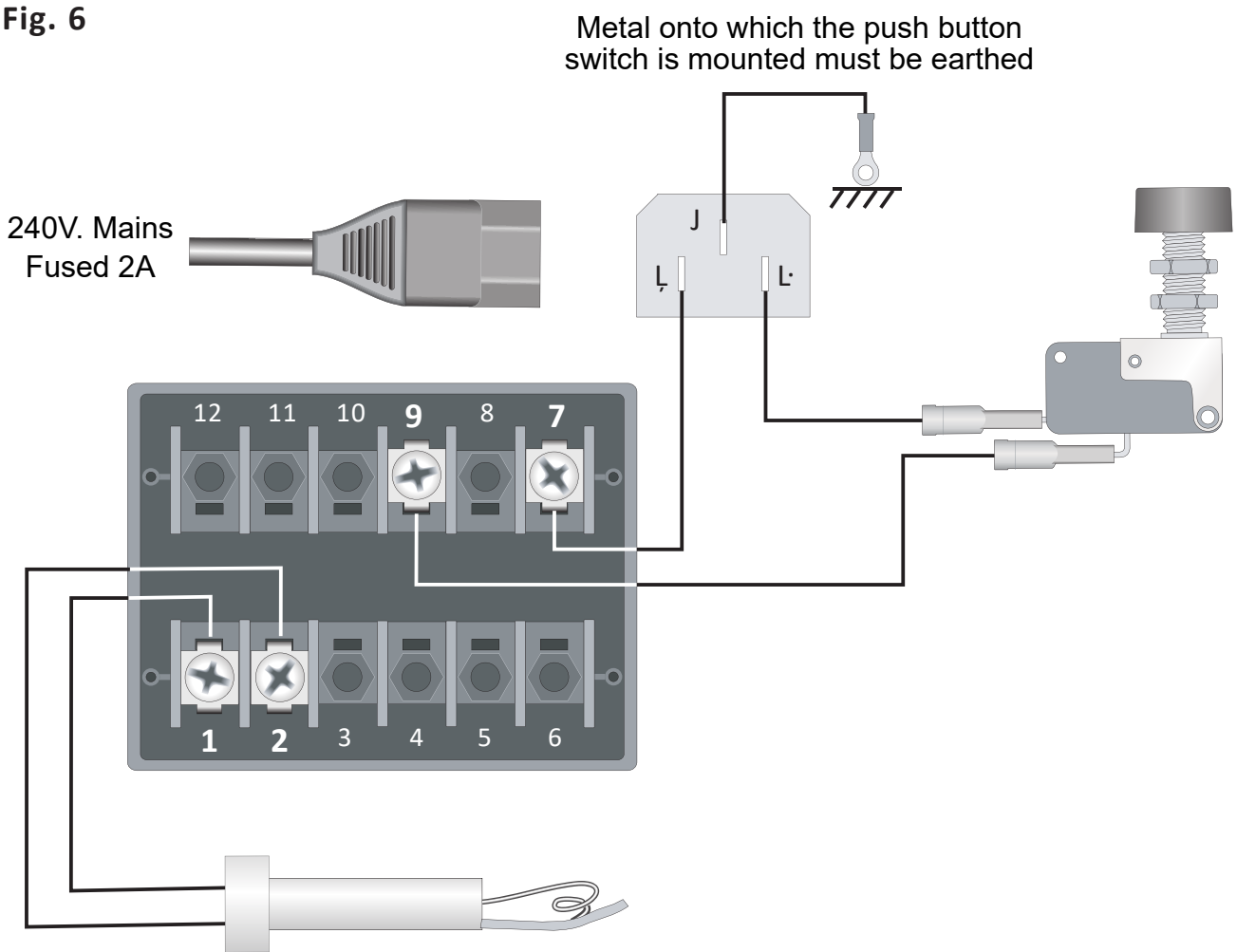
Technical Bulletin	TB179
Product Group	Spares
Edition No:	2
Date	02/2020

**Transformer Identification and Replacement Instructions
For Transformer Kit 37932**

Page Number 9

**Schematic wiring diagram for Push button switch
in metal mounting case and Hearth Stoves.**

Fig. 6





Technical Bulletin	TB179
Product Group	Spares
Edition No:	2
Date	02/2020

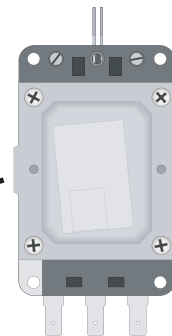
Transformer Identification and Replacement Instructions For Transformer Kit 37932

Page Number 10

Nestor Martin Hearth Stove.



- 1) Disconnect the power supply to the stove.
- 2) Remove the top of the rear housing.
- 3) Remove the igniter wires from the old transformer and all other wires.
- 4) Remove the transformer from its mounting bracket and remove the original mounting bracket.
- 5) Fit new mounting bracket, supplied with the transformer, and fix transformer to this with the screws.
- 6) Follow the schematic wiring diagram 6, page 9.



- 7) Reconnect the two wires to the igniter and to the push button switch.
- 8) Reconnect the power cord and turn on the power supply.
- 9) Replace the top cover on the rear housing.
- 10) Press the igniter button switch and ensure the igniter glows bright orange.



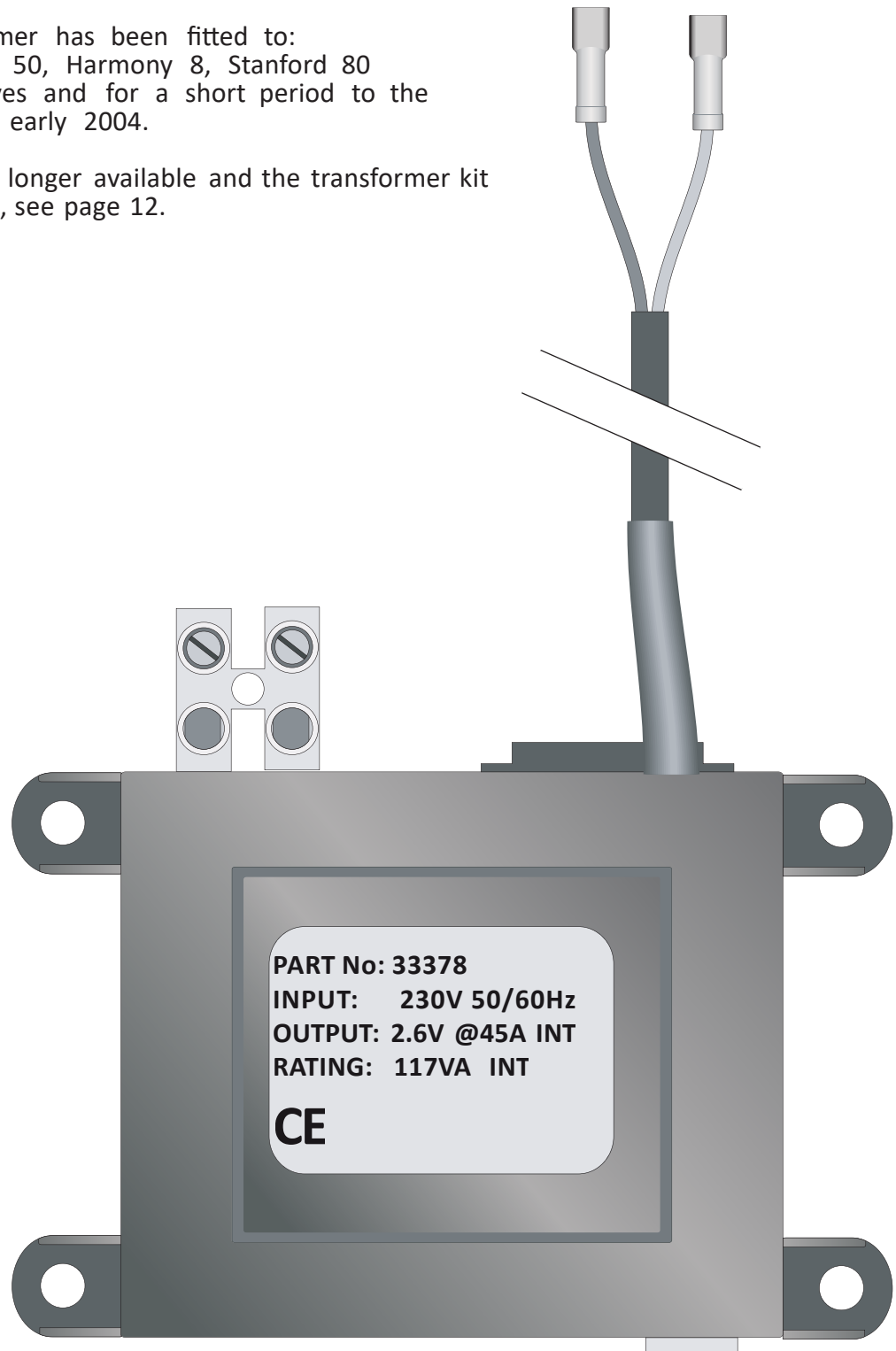
Technical Bulletin	TB179
Product Group	Spares
Edition No:	2
Date	02/2020

Transformer Identification and Replacement Instructions

Page Number 11

The Mark 3 transformer has been fitted to:
Harmony 5, Stanford 50, Harmony 8, Stanford 80
Harmony 10 oil stoves and for a short period to the
Harmony II (2) until early 2004.

This transformer is no longer available and the transformer kit
37932 should be used, see page 12.





Technical Bulletin	TB179
Product Group	Spares
Edition No:	2
Date	02/2020

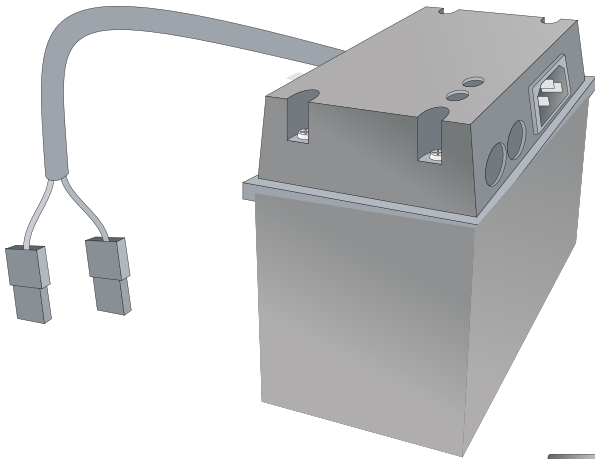
Transformer Identification and Replacement Instructions Transformer Kit 37932

Page Number 12

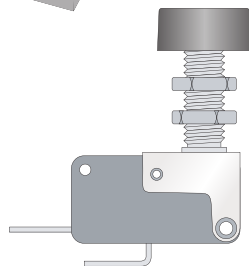
This transformer kit has been designed with an adapter plate to replace all the other previous transformers. Where the Mark 3 transformer (38759) is fitted it will be replaced by the transformer kit 37932.

The kit comprises of:

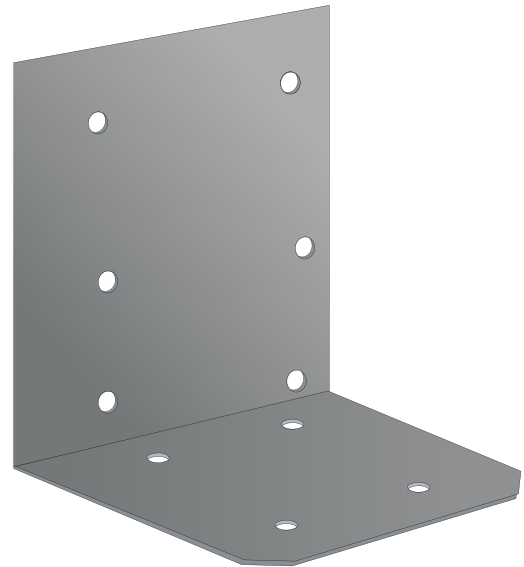
Transformer



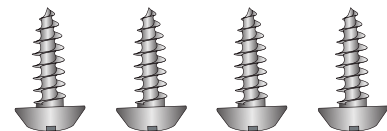
Push button switch,
use the original fitted
to the stove



Transformer Mounting Bracket



Screws



- 1) Disconnect the power supply to the stove.
- 2) Disconnect the two igniter wires from the transformer.
- 3) Remove the transformer from the back of the stove.
- 4) Fix the new mounting plate to the rear panel of the stove and then the transformer to the mounting plate (Figure 5). The transformer **MUST** be earthed to the body of the stove.
- 5) Connect the two wires to the push button switch, if they are not long enough use bullet connectors (not supplied) and the original wires to achieve the desired length.
- 6) Reconnect the power cord and turn on the power supply.
- 7) Press the push button switch and ensure the igniter glows bright orange.

Follow the schematic wiring diagram 6, page 9.