

# NESTOR MARTIN

WOODBOX® TECHNOLOGY

**MQ33**



## **INSTALLATION & OPERATING INSTRUCTIONS**

## SAFETY REQUIREMENTS

Please read carefully all the instructions before installing or using this product. Any errors made in the installation, adjustment, use or maintenance of this product can cause personal injury or damage to property.

All national and local regulations, especially those which refer to national and European standards, must be observed while using this appliance.

- Installation of the appliance must be conducted by a qualified professional.
- In the event of a problem, contact your installer directly.
- Ask him to obtain the original NESTOR MARTIN parts. Beware of forgeries. To obtain a part, contact your installer/dealer in order to identify the order number of the part. Pass on this information to your installer and he will order the part directly from NESTOR MARTIN.
- It is recommended not to overestimate the power of the appliance in relation to the space to be heated.
- When used with air under an open grate, this appliance must be supervised.

Warning: the safety distances in relation to the fuel elements are indicated on the back of the appliance.

There must be a distance of at least 80cm between the glass pane and combustible materials.

It is imperative to observe a distance of at least 80cm all around the appliance in the case of a rotating appliance.

It is prohibited to place the appliance directly onto a floor of flammable material (carpet, parquet...). In the event of a floor made of flammable material, the appliance must be raised to a minimal height corresponding to the height of the low base (optional extra).

In the event of the appliance being placed directly onto a non-flammable floor, provide an air inlet on the bottom or raise the appliance by 10mm in order to allow the combustion air to go into the appliance.

### **DO NOT OVERHEAT THE APPLIANCE.**

### **IF A PART OF THE APPLIANCE OR THE FLUE BECOMES RED, THE APPLIANCE IS OVERHEATING.**

Supply combustion air to the house when using the appliance. An outside air vent near the appliance is acceptable or install the exterior air inlet system included with the appliance.

Do not connect the appliance to an air distribution system or duct.

The appliance must be placed away from furniture and curtains. Warn adults and especially children of the dangers of high temperatures and burns. A fire guard conforming to EN 1930:2011 should be fitted if children, the aged or infirmed are liable to come into contact with the stove.

Supervise children when they are in the same room as the appliance. The appliance must be thoroughly inspected and the chimney must be swept at least once a year. However, in the event of improper installation, malfunction or poor quality fuels, the chimney must be swept more often.

# INTRODUCTION

## INTRODUCTION

We thank you for choosing a NESTOR MARTIN stove. This model is of cutting edge design and complies with environmental standards. It is equipped with Woodbox technology which constitutes an important technical advance in the field of wood fuel.



Performance (%)	Power (kW)	CO emissions (% Vol)	Weight (Kg)
77,6	8	0,07	210

### List of contents:

- 1 stove
- 1 air control tool
- 1 poker
- 1 All-purpose glove
- 1 Rear flue outlet
- 1 stopgap/flue outlet gasket
- 2 flue outlet fixing screws
- 1 instructions manual

# INSTALLATION

## INSTALLATION INSTRUCTIONS

- Installation must conform to current building regulations.
- The position of the appliance must respect the minimal distances in regards to combustible materials, shown on the descriptive plate. If necessary, install a wall protector. If the ground is not tiled, (i.e. fitted carpet, parquet...) install a floor protector plate which extends out from under the appliance for at least 20cm at the back, 20cm at the sides and 50cm at the front.
- Make sure that the chimney is clean, free of soot or debris, and as straight as possible.
- The chimney flue must be airtight and the inner walls as smooth as possible.
- The connection between the chimney and the appliance must be as equally airtight and made of non-combustible materials, protected, if possible, against oxidation (enamelled sheet metal, aluminium, stainless steel...).

## HEIGHT OF THE CHIMNEY

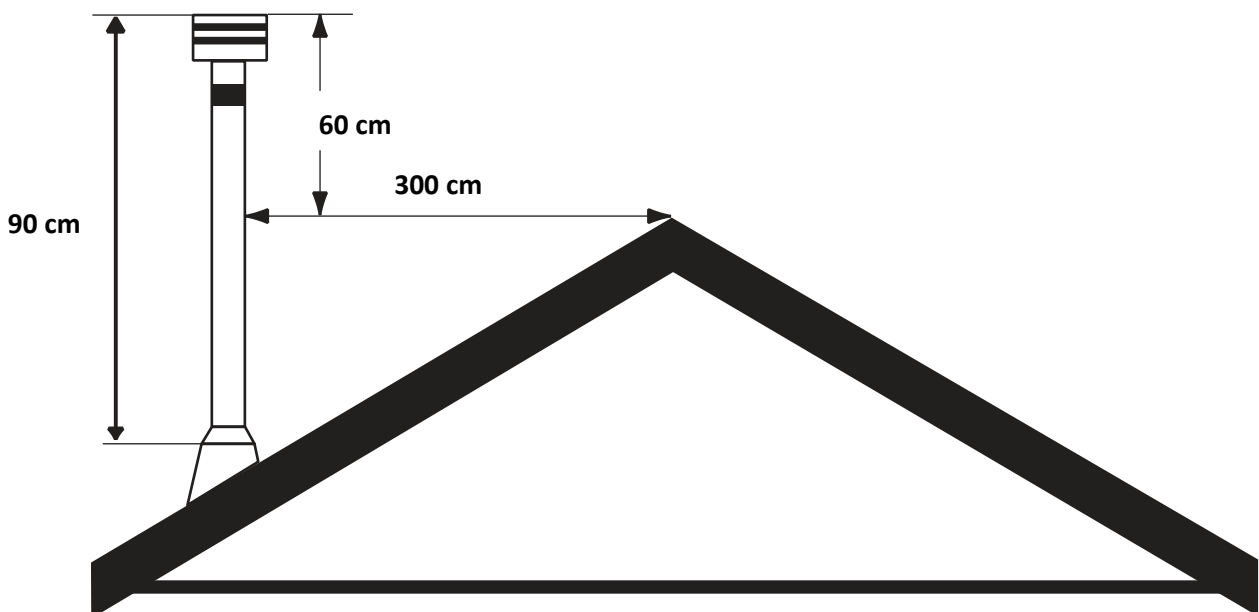
The chimney must be high enough and unobstructed to avoid backdraft. It should be protected with insulating materials to lower the risk of sooting in the high part of the chimney flue, and if necessary, it should be covered to avoid rain water from penetrating.

The chimney must be designed and built in a way to allow a sufficient draw as to completely clear the smoke from the inside.

As a rule:

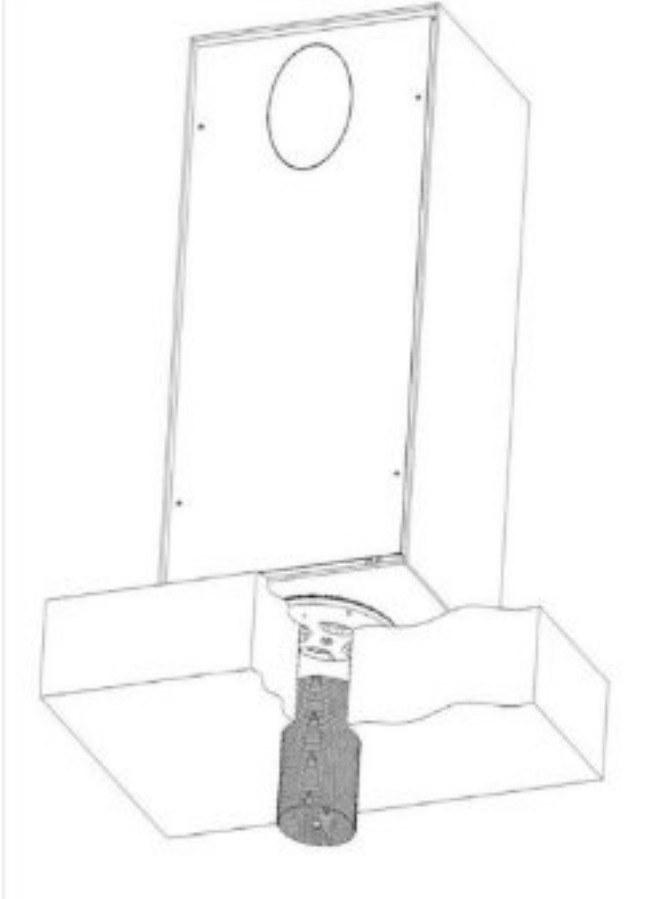
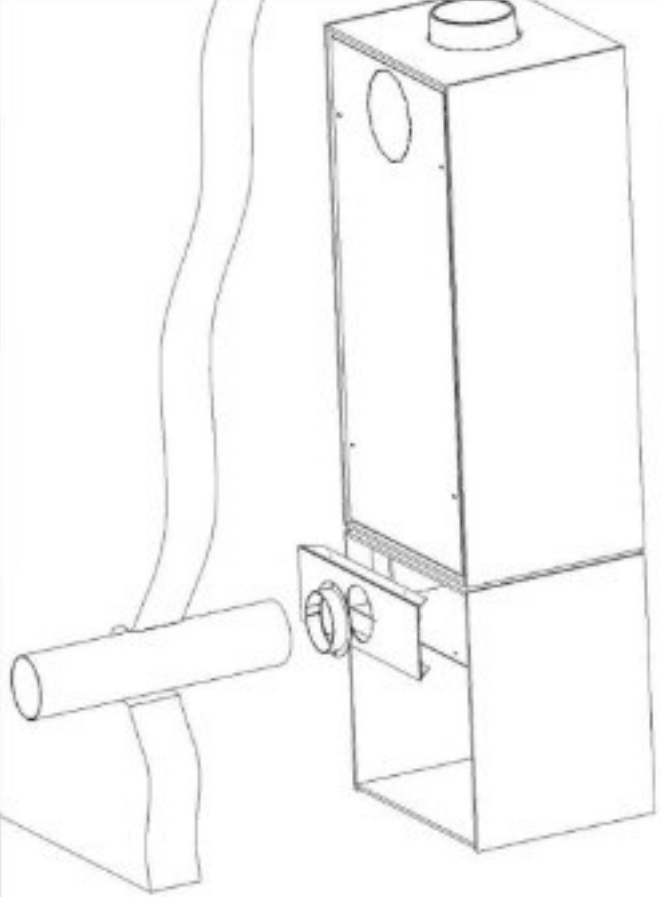
1. The chimney must be at least 90cm higher than the point on the roof from which it emerges.
2. and be at least 60cms higher than any part of the building within a radius of 3m.

For the best draw, the chimney should be at least 4.5m long from the flue outlet of the appliance.



## CONNECTING AN EXTERIOR AIR-INTAKE

Your appliance is pre-equipped to have a vertical exterior air duct through the ground. If you have purchased an optional base, you can also connect the duct through that.

Vertical connection through the ground	Horizontal connection through the stand
	
<p><b>Warning: for this kind of connection, install a ground protection plate.</b></p> <ul style="list-style-type: none"><li>• Create a hole of a 100mm diameter in the floor.</li><li>• Connect the flexible aluminium air duct.</li></ul>	<p><b>This type of connection is only possible with the base sold as an option.</b></p> <ul style="list-style-type: none"><li>• Screw the stopgap until the stand's air intake is blocked</li><li>• Pass a pipe of 100mm diameter through the wall.</li><li>• Connect the pipe to the flue outlet tube at the back of the stand.</li></ul>

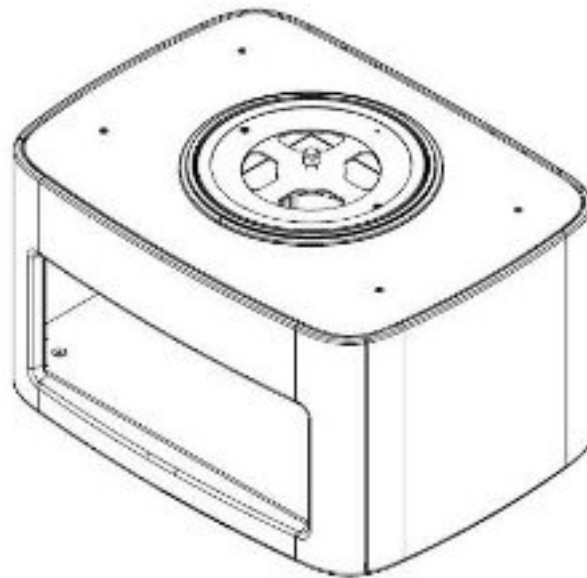
# OPTIONAL EXTRAS

## RANGE OF STAND

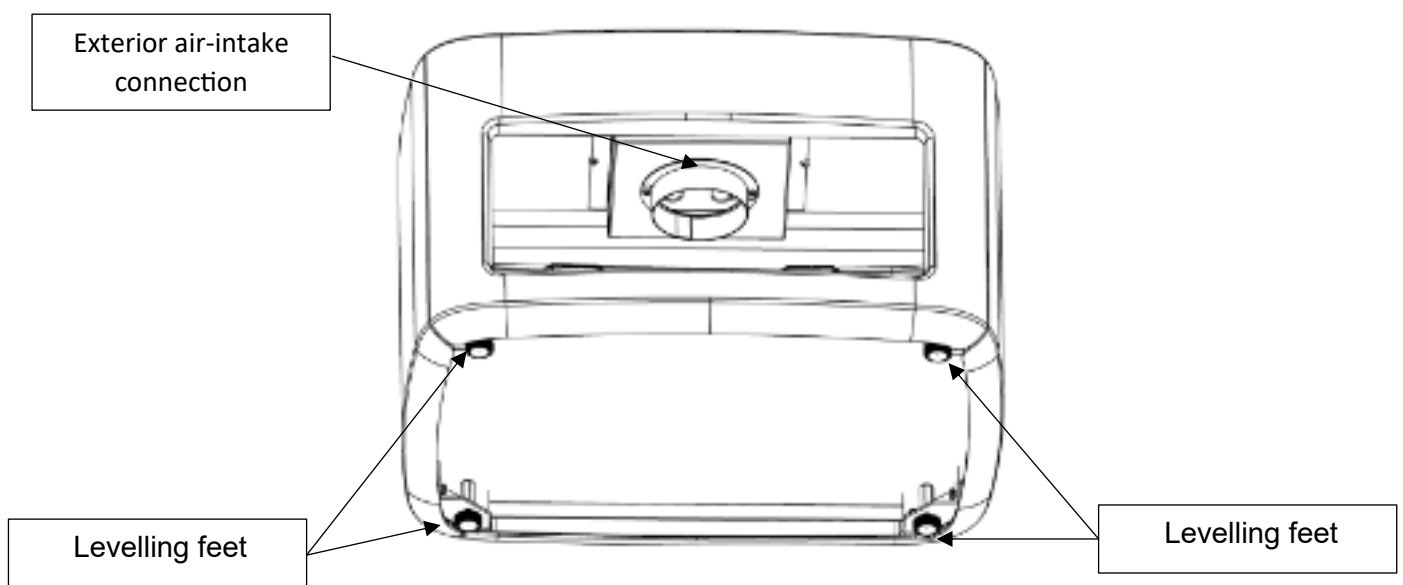
Thanks to our range of quality stands, your stove has the possibility to become a practical, swivelling stove. Effectively, the stands are equipped with a bearing that allows them to be rotated 360°, giving you the chance to take full advantage of your wood fire. What's more, it allows you to have an outside air intake system thanks to the flue outlet provided.

### LOG-STORE STAND

This cast iron stand allows you to have a 360° swivelling stove due to the integrated bearings. It is equipped to receive a direct exterior air-intake system and a space to store wood logs. It also has four levelling feet.

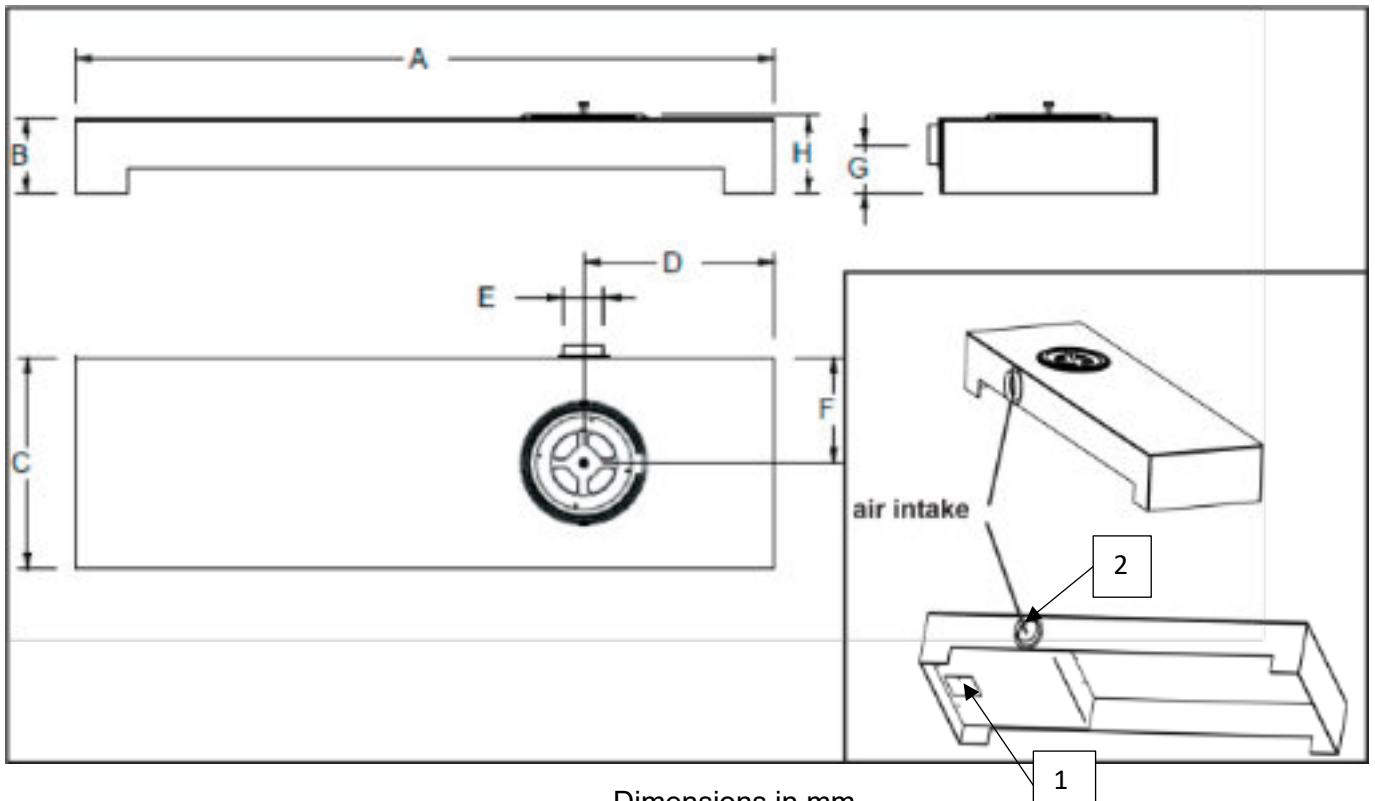


If it is required to connect an exterior air intake, it is possible to do it vertically by removing the lower cover of the base; or horizontally by placing a 90° bend.



## **BENCH STAND**

This 6mm thick, lacquered-steel bench stand is equipped with a bearing so that your stove can move as well as having an exterior air-intake system.



Dimensions in mm

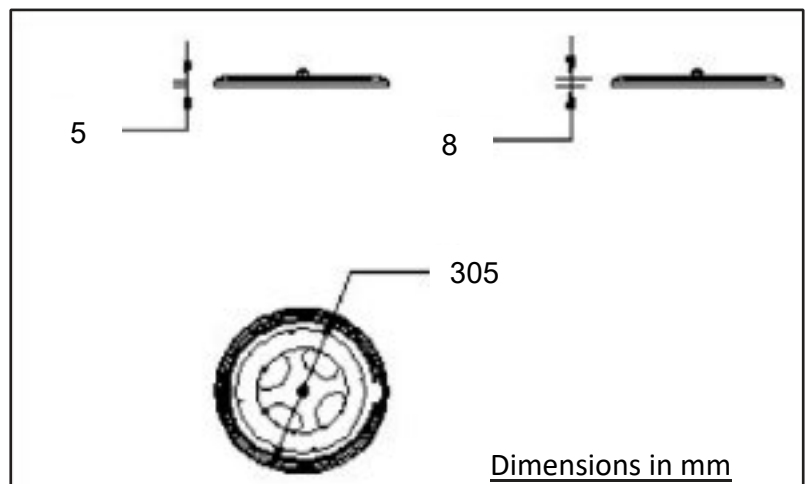
A	B	C	D	E	F	G	H
1700	186	516	465	100	258	120	194

By default, your base is built for a rear exterior air-intake system but you also have the possibility of modifying it for an air-intake system through the bottom. To do this:

1. With a screwdriver unscrew the square stopgap which is situated under the air box on the stand (see diagram).
2. Unscrew the back plate fitted with collar and replace it with the plain stop gap cover.

## **OPTIONAL BEARINGS**

Thanks to the optional bearings, you have the possibility to mount your stove on different types of bases (stone, platform, bench stand...).



## SETTING UP ON THE STAND

### Procedure

- Place the stand in the prepared position.
- Place the stove on the stand using a lift or sharing the weight between several people.
- Unscrew the 2 fixing screws from the control panel and remove it (photo 1).



Photo 1



Photo 2

- Pass the bolt through the flue of the outside air intake system of the bench stand and put it into the mounting hole using an Allen key.
- Using the latch key, bring the nut in front of the hole and screw it in with the Allen key (Photo 2).
- Replace the control panel and the base cover using the screwdriver or screw gun.

**Warning: the tighter the screw is, the more resistance there will be in moving the stove.**

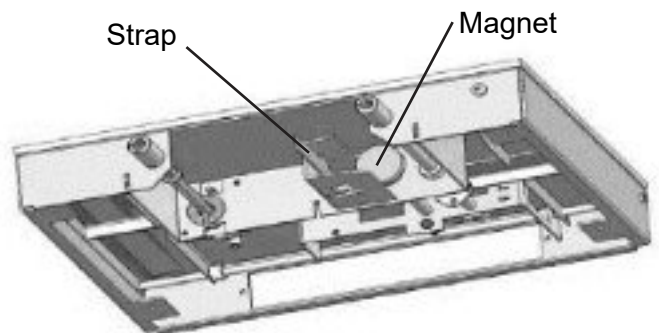
## MOTOR AND RECEIVER

To install the motor and receiver, proceed as follows:

1. Remove the control panel (2 screws)

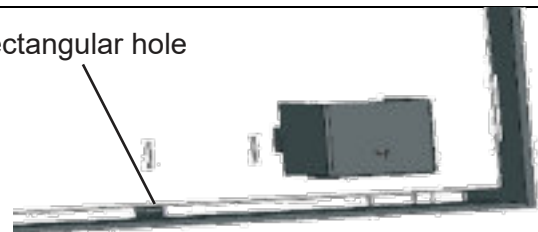


2. Pull back the strap of the magnet then wedge the wheel of the motor against the magnet.



3. Remove the cast iron back.
4. Place the receiver in its stand and place it on the base.
5. Link up the motor and the receiver with the cable, by passing the cable from the back to the front. The rectangular hole is provided for this.

Rectangular hole





## APPROVED FUELS

Your appliance has been designed to burn the following approved fuels:

Recommended solid fuels: beech wood, birch, oak, ash, hornbeam and wood from fruit trees.

**Non-recommended solid fuels: conifer, damp wood, chemically treated wood, shavings, wood pellets, coke. It is prohibited to burn refuse or flammable liquids (petrol, solvents or motor oil) inside the stove.**

## CHOICE OF WOODS TO BURN

The best wood to burn is very dry wood which will be easier to light and will cause less tarring/sooting in the chimney. Ideally the wood will have been left to dry for 18 months, and even in that case the logs will still have a moisture content of 20%!

Damp wood not only has a lower calorific power, which lowers the combustion temperature, and therefore is less efficient, it is also difficult to light, extinguishes easily and gives off smoke. Above all, the use of damp wood can lead to soot being deposited in the smoke ducts (tarring and sooting) of the chimney.

Some woods are more reactive than others. Those that are best are hornbeam, beech and oak. Aspen, birch and lime tree burn well but do not last as long. After them are soft leaves and conifers. The diameter of the log is important for the heat. However, this classification is only an indication as the best fire wood is always the driest.

Wood provided at a ready-to-use length, stored immediately in a well aired place, dries quicker than those left in stacks. Blocks dry quicker than logs. Wood chucks that are too small to be split must be drained. To do this, remove a portion of the bark.

Drying the wood will take between 18 months and 2 years. This time can be shortened (12 to 15 months) if the wood is cut to a ready-to-use length and immediately stored in a well aired place

## TARRING AND SOOTING

When the smoke reaches a low temperature in the chimney, part of the water vapours that it contains condense. The heaviest components of this are deposited on the inside of the flue. This is TARRING. The mix oxidises in contact with the air and forms brownish marks. This is SOOTING.

To avoid this inconvenience four things must be done: use only dry wood, connect the stove to a chimney with thick sides and at an even section (the bushel 20 x 20cm system is often used) and make sure that the connecting tubes are as short as possible.

The chimney flue must be inspected frequently during the heating season (i.e. summer months) to determine if a buildup of creosote is forming. If a creosote deposit of 3 1/8" (3mm) or more forms, it must be removed to reduce the risk of chimney fire.

# USER INSTRUCTIONS

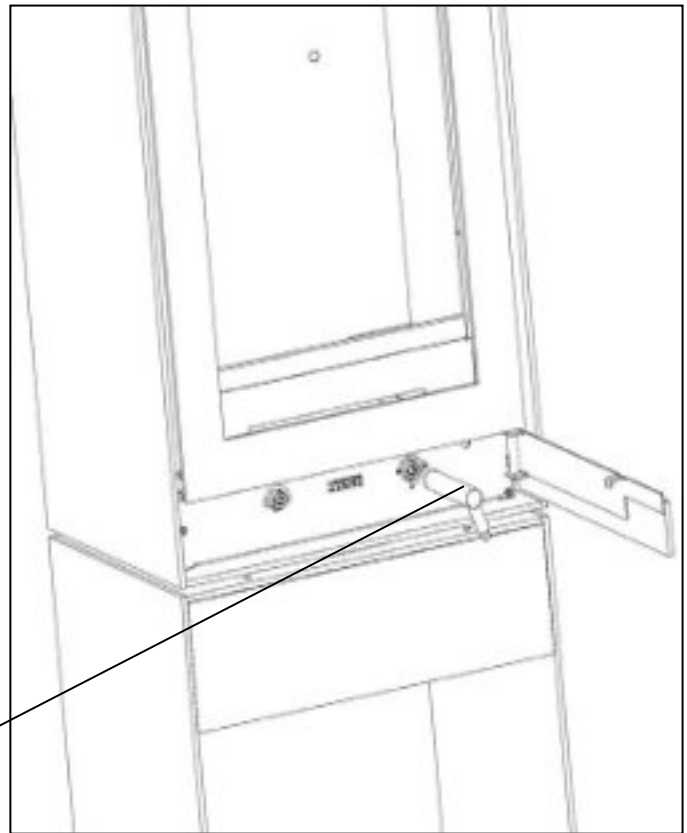
## THE CONTROLS

The appliance has two main controls:

- > the UPPER AIR FLOW control
- > the LOWER AIR FLOW control

The two controls can be used together in a way to combine the two air flows to achieve optimum performance.

**WARNING:** the controls can be hot. Always use the tool provided to adjust the controls.



**Tool provided**



The LOWER AIR SUPPLY control: used for coal fires, or to make lighting wood fires easier.

The UPPER AIR SUPPLY control: used for wood fires.

The controls operate valves that open and close in several ways, bringing the air to the fire in a way that optimises the combustion according to the fuel and desired intensity.

**WARNING: DO NOT USE ANY GRATES, ANDIRONS, OR ANY OTHER KIND OF SUPPLEMENTARY SUPPORT OTHER THAN THOSE SUPPLIED WITH THE APPLIANCE.**

## Controls>different uses

With the Woodbox combustion system, the air needed for the combustion can be brought from above or below the fire according to the type of fuel used.

A wood fire must be fuelled from above (upper air supply), while a coal fire is better fuelled from below (lower air supply). The two controls allow the air flows to be controlled separately.

The buffer regulators, which allow an air flow from both above and below at the same time, rapidly and intensively stoke the fire. Such adjustments can be used to light the fire easier or to burn the soot deposits on the glass pane. However, the buffer settings can only be used for short periods as it can cause the appliance to overheat.

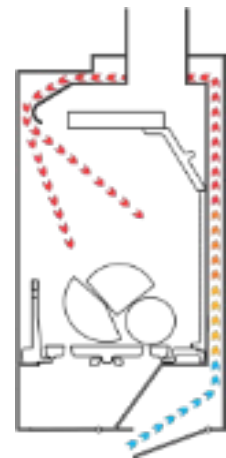
### Wood



**Closed**

**Open**

One flap is open, bringing the air from above the fire. By going around the heater, the air is warmed before it reaches the fire and this allows a clean and efficient combustion. The lower air supply is closed.

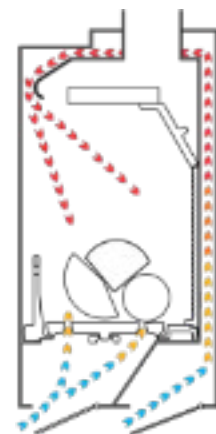


### Lightning



**Open Open**

The two flaps are open to bring the maximum amount of air to the fire, to make lighting it easier.

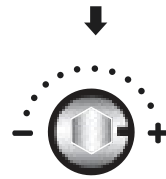


## USING WOOD> LIGHTING MANUALLY

- Set the UPPER AIR SUPPLY to maximum



- Set the LOWER AIR SUPPLY to maximum



Tip: leave the door slightly open to stoke the fire.

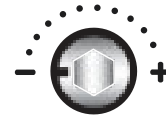
It will increase the draw and allow an ember bed to be achieved.

- On the grate, place some paper or shavings, kindling and some small logs.



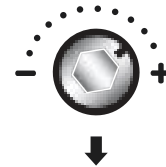
- Light the paper

- When the fire has started, close off the lower air supply. Normally, it must remain in the closed position when burning wood.



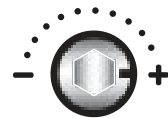
**Important: in the event of a weak draw and/or an insufficient ember bed, it is advised to leave the lower air supply open slightly in order to allow your appliance to reach its normal performance (sometimes this can take more than an hour).**

- Then, adjust the flow to the desired intensity with the upper air control. With practice, you will quickly be able to find the position that suits you best.



## USING WOOD>LIGHTING WITH THE REMOTE CONTROL

- Set the UPPER AIR SUPPLY to maximum by pressing the + button on the remote control.

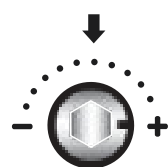


- Set the LOWER AIR SUPPLY to maximum

Tip: leave the door slightly open to stoke the fire.

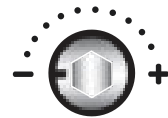
It will increase the draw and allow an ember bed to be achieved.

- On the grate, place some paper or shavings, kindling and some small logs.



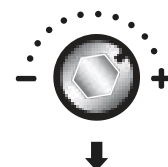
- Light the paper..

- When the fire has started, close off the lower air supply. Normally, it must remain in the closed position when burning wood.



**Important: in the event of a weak draw and/or an insufficient ember bed, it is advised to leave the lower air supply open slightly in order to allow your appliance to reach its normal performance (sometimes this can take more than an hour).**

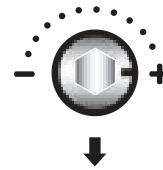
- Then, adjust the flow to the desired intensity with the upper air control. With practice, you will quickly be able to find the position that suits you best.



## USING WOOD>ADDING LOGS

To prevent smoke fumes from entering the room while adding wood and to ensure a rapid recovery of the hearth, do as follows:

- Refill the appliance only when there are no flames, only an ember bed.
- Set the UPPER AIR SUPPLY to maximum

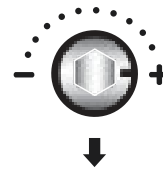


- Open the door slowly and leave it ajar for 30 seconds. Then open it completely and place the fresh logs onto the embers.
- Close the hearth door. While the fire starts up again, set it to the desired intensity with the UPPER AIR SUPPLY control (or use the remote control: press the – button).

## USING WOOD>CONTINUOUS FIRE

With quality wood such as oak or very dry beech wood, it is possible to have a fire burning continuously for 8-10 hours or even more. To build a slow fire that can last a long time while at the same time keeping the window clean:

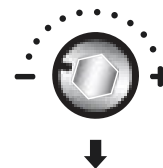
- Refill the appliance in the manner described above. Do not use round pieces of wood or logs that have not been split as they risk rolling against the glass pane and dirtying it.
- Set the UPPER AIR SUPPLY control to maximum



- Leave it at maximum until the fire is burning strongly.

(It is not advised to completely close the air inlet, instead leave it slightly open to encourage the self-cleaning of the glass pane.)

- Then lower the intensity to almost minimum



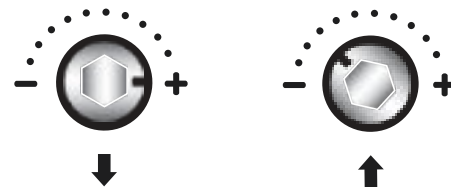
- In the event that your chimney has a strong draw, it would be necessary to close the air inlet more than with a chimney with a weak draw. See also the section on “Setting the minimum air intake”.

## SELF-CLEANING OF THE WINDOW

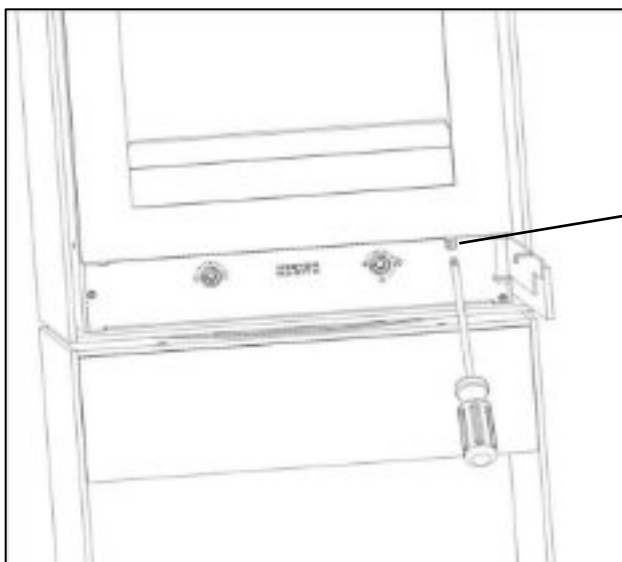
Your appliance is equipped with an integrated glass pane cleaning system (“Airwash”) which uses hot air to minimise the marks on the glass pane. If you use a dry fuel, a large part of the tar deposited on the window will burn and disappear when the appliance is running at a high temperature.

If marks appear on the glass pane (after a long, slow burning fire for example), follow this procedure to quickly clean the glass pane:

- Set the UPPER AIR SUPPLY control to maximum.
- Set the LOWER AIR SUPPLY control to a quarter open. This setting allows a little air to enter under the fire as well as the usual preheated air used for wood combustion.
- Once the majority of the marks have disappeared, reset the controls to their original positions.



## SETTING THE MINIMUM AIR INTAKE



The minimal setting is found to the right of the control buttons. It allows you to increase, decrease or completely close the minimum air inlet when burning a slow fire in the appliance. Adjust it in accordance with the pull of your chimney if necessary.

The minimum setting screw is situated behind the control panel.

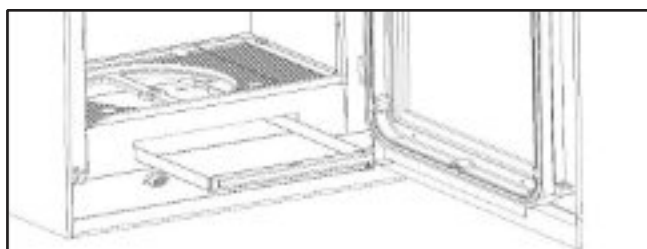
Using a cross-headed screwdriver, tighten the regulating screw clockwise) to decrease or to completely close the minimum air intake.

Turn it anti-clockwise to increase the minimum air intake.

## EMPTYING THE ASHTRAY

To avoid an overflow of ashes, empty the ashtray regularly. However, a fine layer of ash on the grate helps the combustion of the wood and retains heat.

It is advisable to empty the ashtray when the appliance is not in use. To remove the ashes, drop them from the hearth into the ashtray through the grate with the tool provided.



### **WARNING: THE ASHTRAY MAY BE HOT. USE HEAT RESISTANT GLOVES.**

- Open the little door and the door to have access to the ashtray.
- Using the tool provided, put it in the hole in the ashtray intended for it.
- Pull the ashtray out from its holding.
- Empty the ashtray and put it back in its holding.
- Place the ashes in a metal container. The container must be placed on a non-flammable floor, and far from any flammable materials. Wait until the ashes are cold before throwing them out.

# MAINTENANCE

## FIRST USE

The first fire always causes a burning smell which disappears permanently after a few hours of use. After the first use, it is ok to then clean the glass pane with a soft cloth and standard glass pane cleaning product.

## CLEANING THE APPLIANCE

Always allow the appliance to cool before cleaning it. It is not recommended to use a cloth to clean an appliance that has a paint or graphite finish as the abrasion can cause marks that are difficult to remove. To clean a painted appliance, use a stiff brush. For tough marks, it is better to touch up the paint with a paint designed for stoves (NESTOR MARTIN high temperature paint) than to try to clean them.

In the event of condensation, wipe the drops before they dry.

To clean an enamelled appliance, use a damp cloth or product suitable for use with enamel finished. However, an over-zealous cleaning, even with a suitable product, can damage the finish of the appliance. All traces of the cleaning products must be removed before relighting the stove, as they can cause marks when the appliance becomes hot.

## MANUALLY CLEANING THE Glass pane

Always allow the appliance to cool before cleaning the glass pane. The ceramic glass pane of the appliance is specially made to withstand high temperatures, and certain cleaning products contain chemical products which can weaken or mark the glass pane.

Some newspaper dampened with water and a few drops of vinegar is enough to remove the majority of marks. For tougher marks, gently rub them with a scourer of fine steel wool, lubricated with a little dish soap. However, be careful not to rub too hard so to avoid damaging the ceramic glass pane.

If manual cleaning is necessary too often, you are advised to review the installation and operating method to determine if there is a better combustion possible.

## AIRTIGHTNESS

Frequently check that the doors and ashtray are airtight. To ensure proper functioning of this appliance, the openings must be airtight. If they are not, inspect the joints. If a joint must be replaced, contact your distributor.

## SUMMER BREAK

At the end of each heating season (i.e. summer months), your entire appliance must be completely cleaned and the chimney inspected by a qualified technician.

Remove all the residual ashes from the appliance.

Leave one of the air supply controllers open to allow rainwater that may enter the chimney to evaporate.

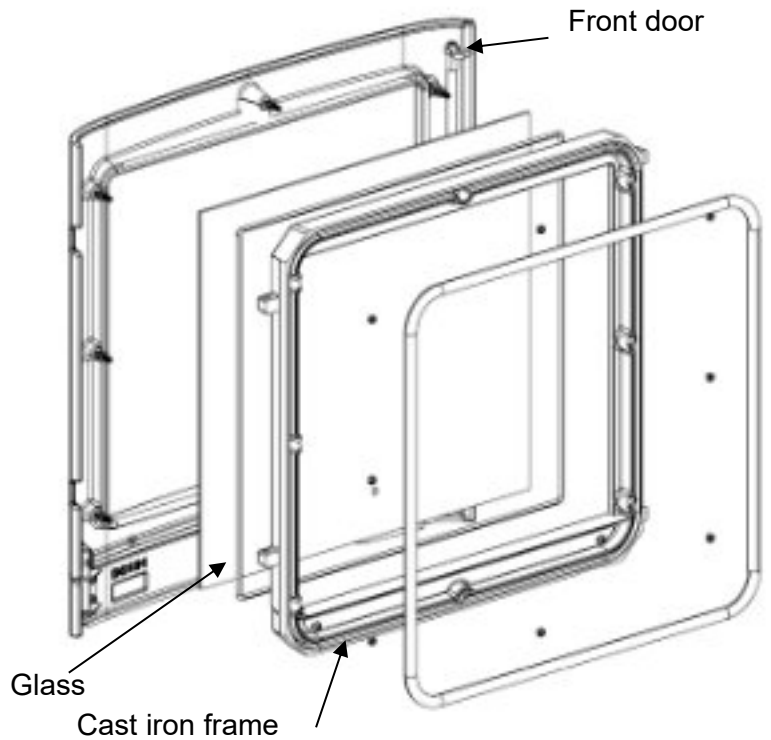
For added protection, you can place absorbing crystals in the stove or cover the interior with a light dehumidifying spray such as WD40.

Apply lubricating oil to the latch handles and other movable parts.

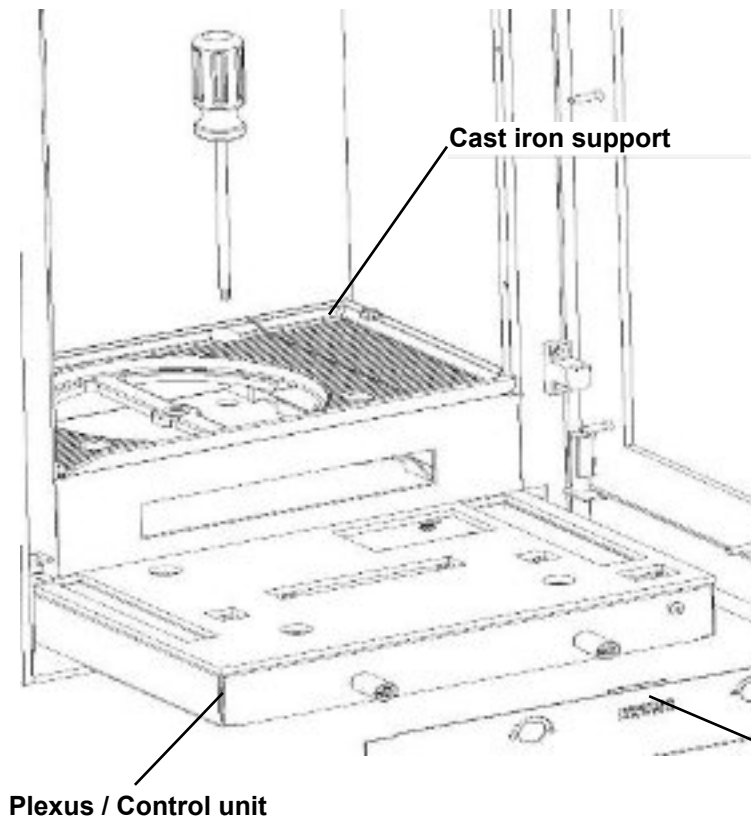
## REPLACING THE Glass panel

To replace the glass:

- Lift the front door to remove it from the hinges.
- Lay the door on a flat surface.
- Unscrew the eight nuts on the iron door that holds the glass.
- Remove the cast iron frame from the unit.
- Replace the glass.



## REMOVING THE PLEXUS (CONTROL UNIT)



It is possible to remove the control unit for maintenance. This must be carried out by a qualified technician.

- Open the door and the gate.
- Unscrew and remove the control panel using a screwdriver.
- Unscrew the 4 fixing screws from the control unit by going through the holes provided in the cast iron support.
- Pull the control unit out towards the front.



## GARANTEE

NESTOR MARTIN guarantees this product is free from defects in materials and workmanship for the warranty period as stated below. This warranty is valid under the conditions set below.

This warranty is limited to the replacement of parts and does not cover the labour. All labour costs for replacing the part are the responsibility of the owner.

### 2 Years

Handles  
plexus (control unit)  
remote control , receiver, motor

### 5 Years

combustion chamber

### EXCLUSIONS AND LIMITATIONS

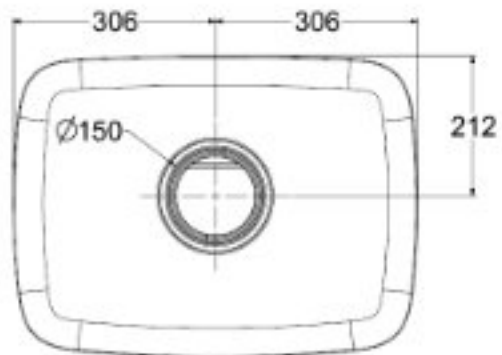
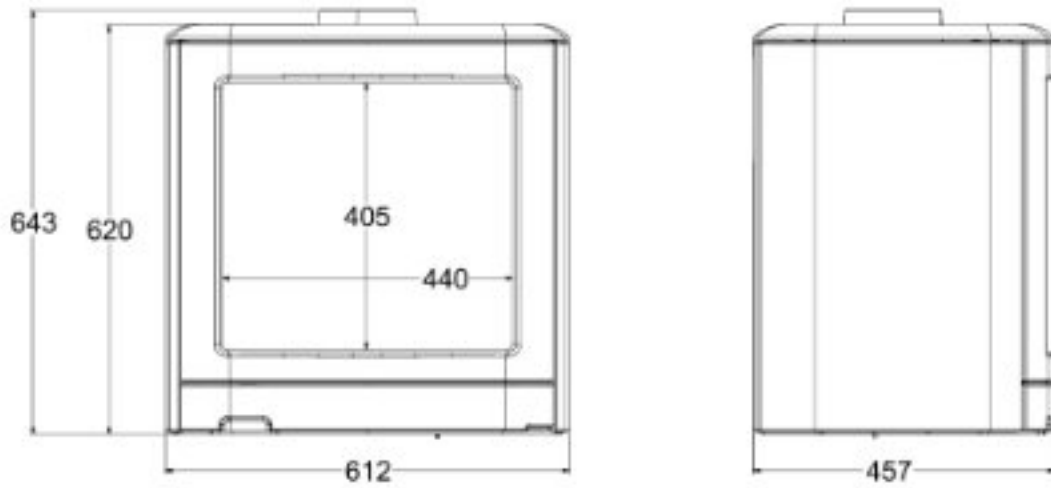
- Rust caused by condensation is not covered.
- Expanding or contraction noises when lighting or extinguishing a fire are not covered
- Splinters or damages to enamelled or lacquered surfaces that are declared more than 7 days after the installation are not covered by any warranty. Inspect your stove for any flaws in the enamel before accepting it.
- This warranty does not cover the glass pane as well as all parts that are in contact with the fire (grate, grate support, protectors, baffle), as well as any damages occurred to the remote control if dropped.

All maintenance procedures and/or the replacement of parts must be carried out by a maintenance company or a specialist recognised by NESTOR MARTIN. To make a warranty request for a faulty part, have the part replaced and send the faulty part to a NESTOR MARTIN distributor for inspection. If the fault is covered by the warranty, you will not be charged for the replacement part. The transport costs of the replacement part and returning the faulty part are your responsibility. The replacement or new warranty service will be under the terms and conditions of this warranty for the remainder of the original period of cover.

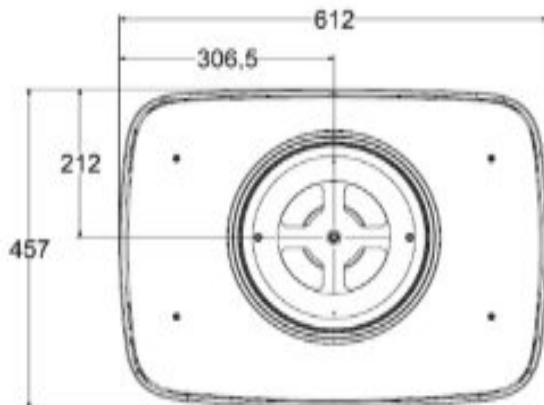
This warranty does not cover any fault or malfunction caused by an accident, unsuitable or improper use, modifications, improper installation, or poor maintenance and upkeep. The cost of sending a NESTOR MARTIN employee to the client is not covered by the warranty. An appliance bought from a store is not covered by the factory warranty.

All warranty requests can only be made via a distributor recognised by NESTOR MARTIN. Otherwise this warranty will not cover the costs incurred.

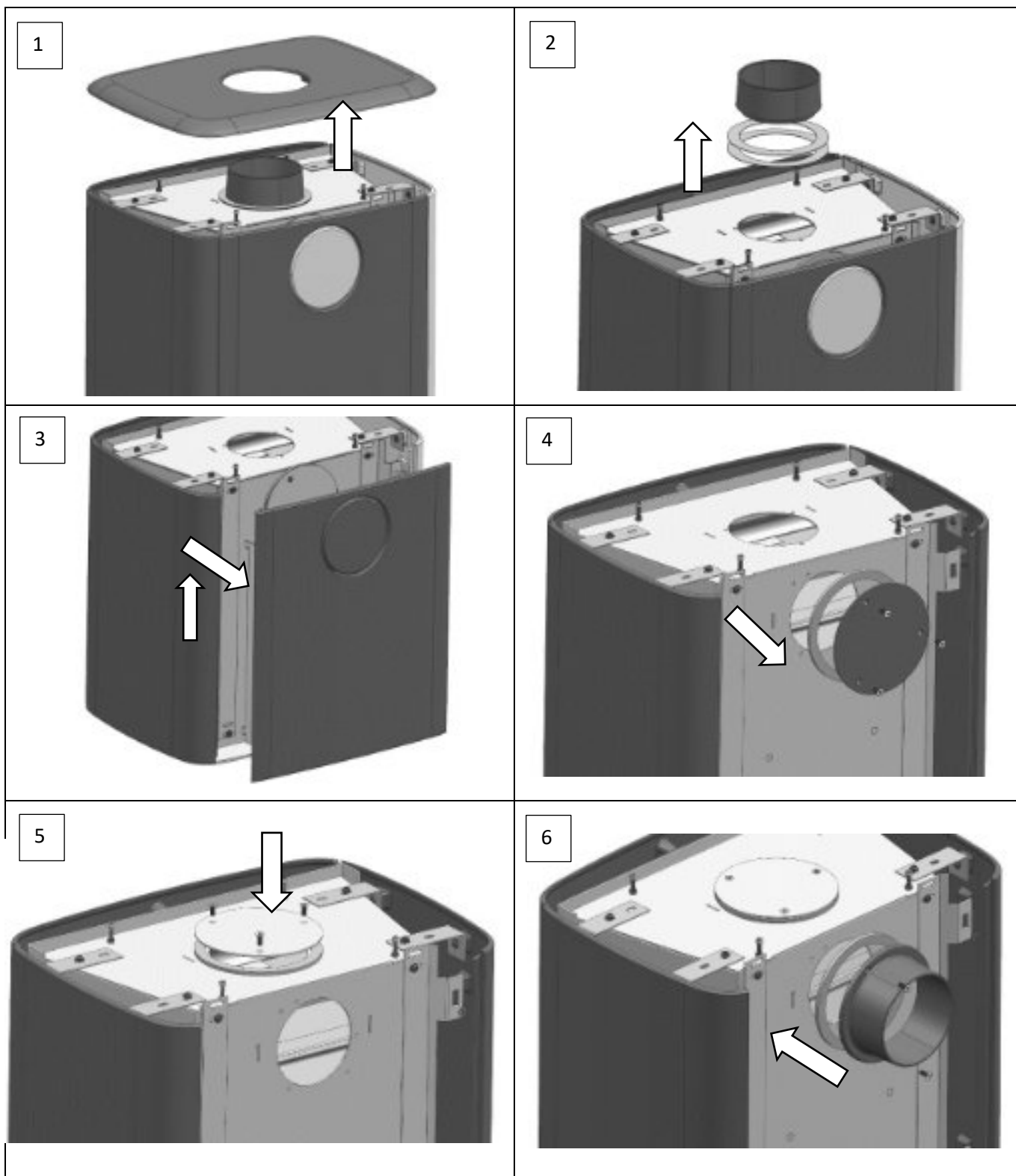
# DIMENSIONS



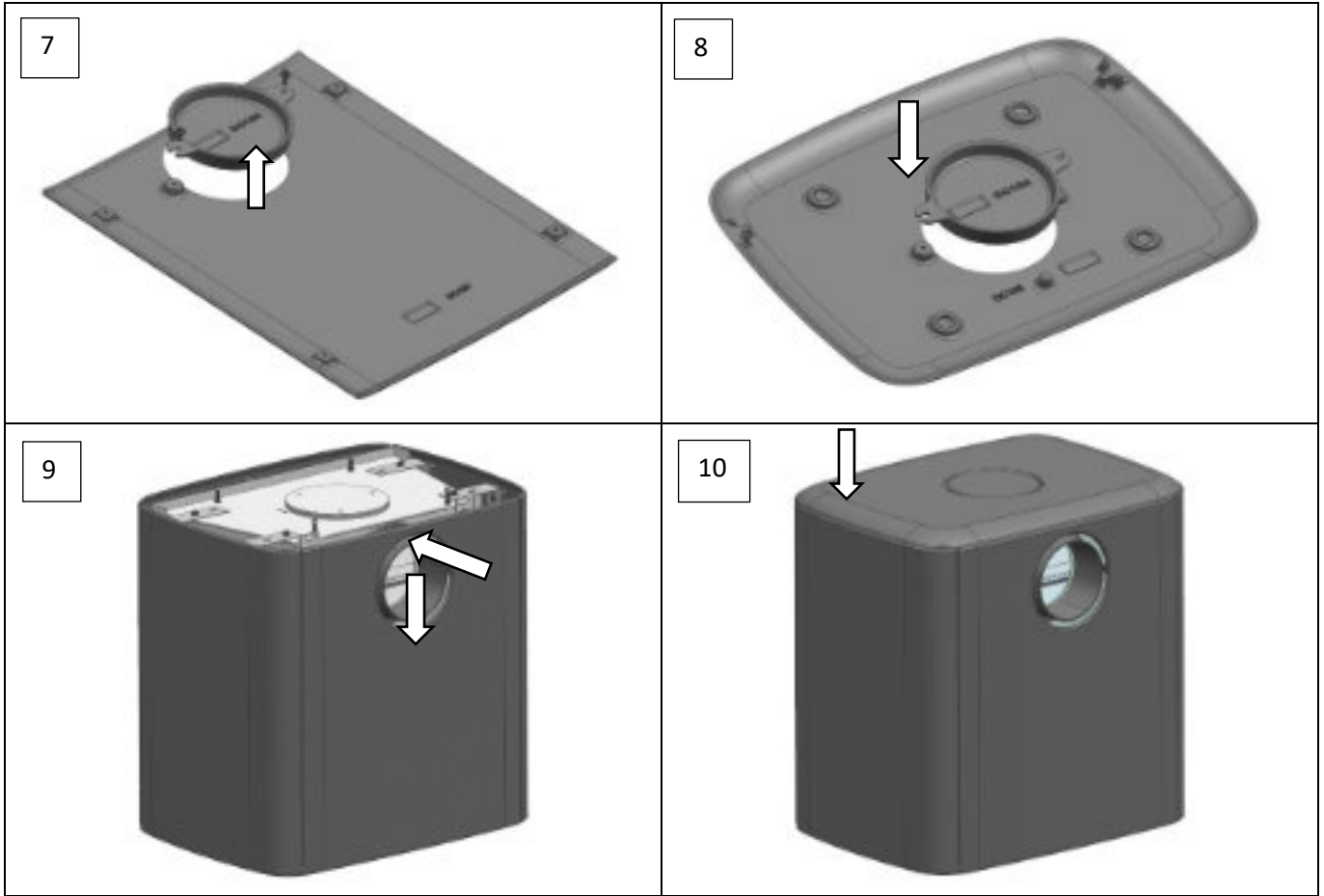
**STAND: 993900216**

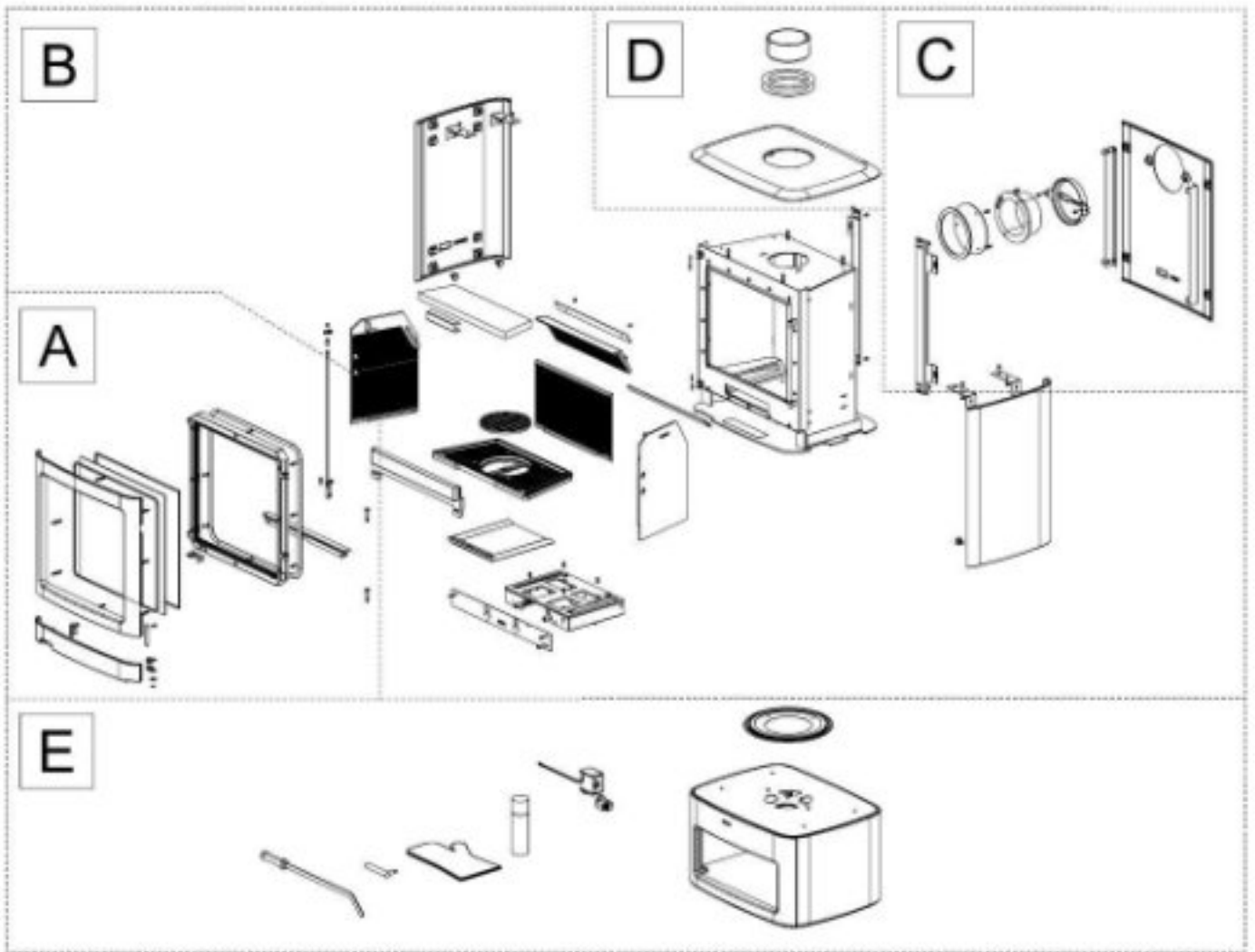


# INTERCHANGING THE TOP/BACK FLUE OUTLETS



## INTERCHANGING THE TOP/BACK FLUE OUTLETS



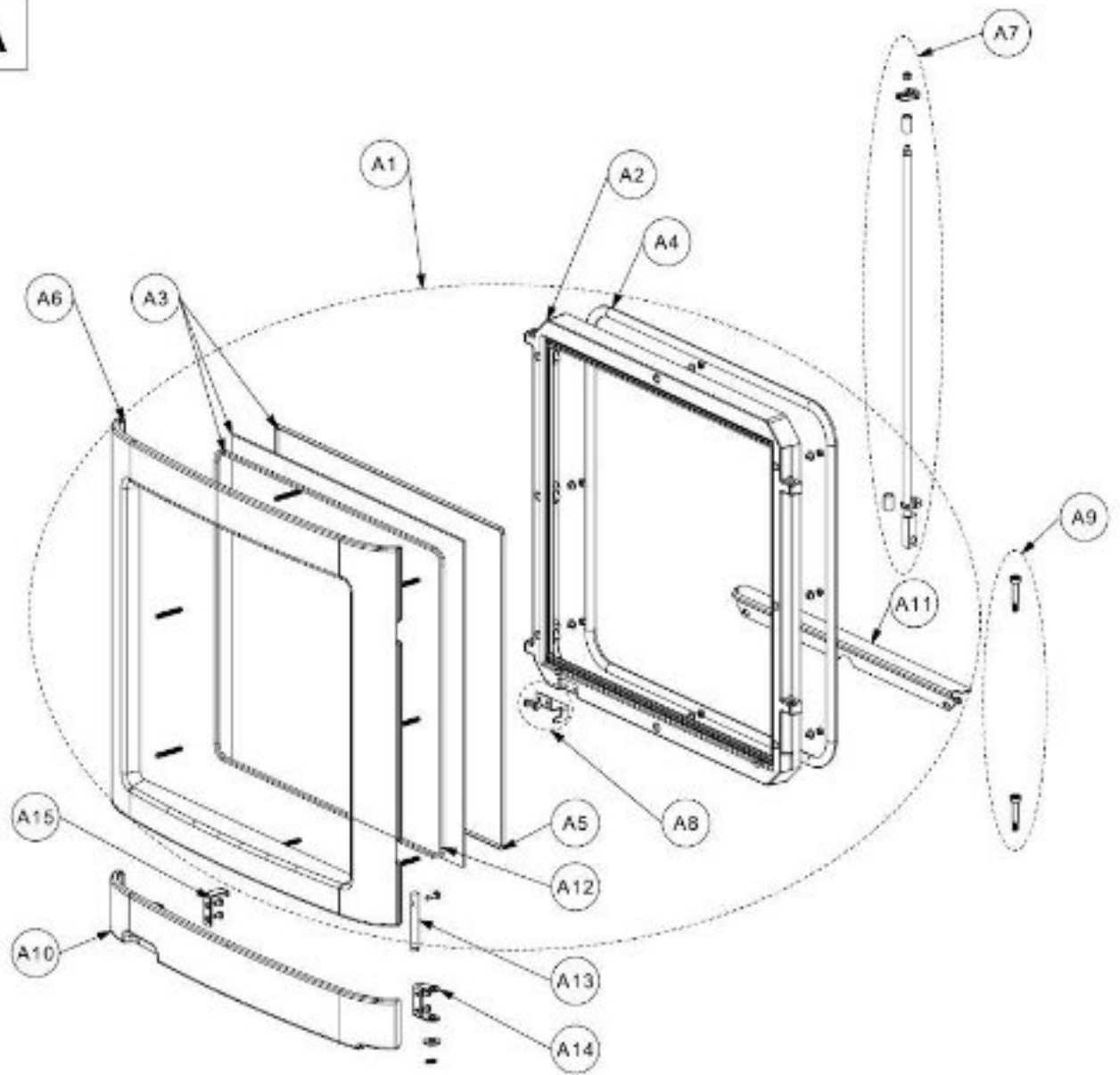


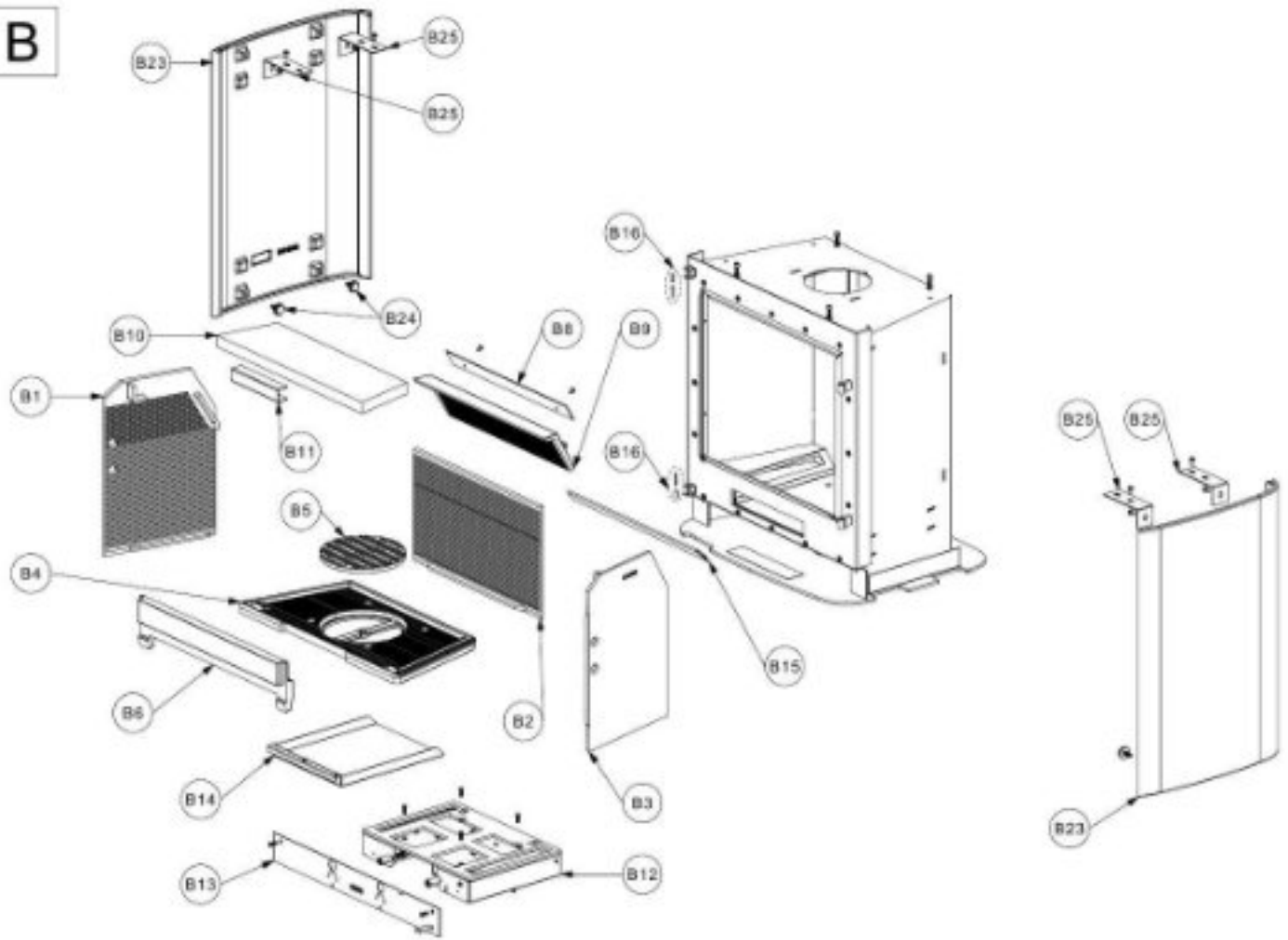
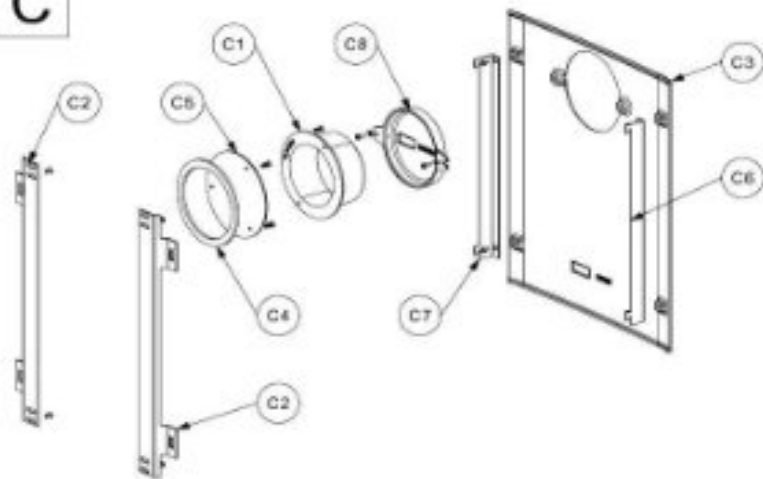
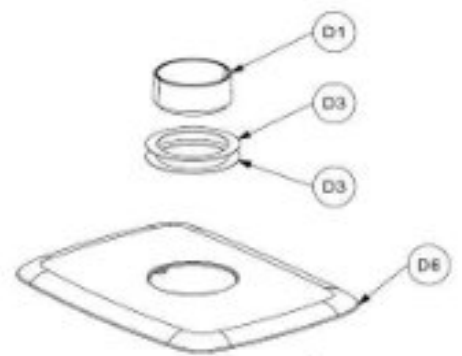
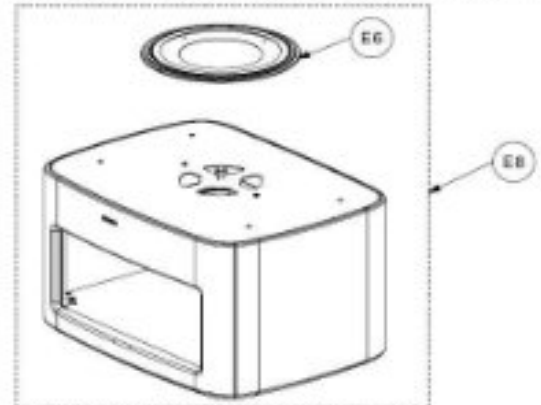
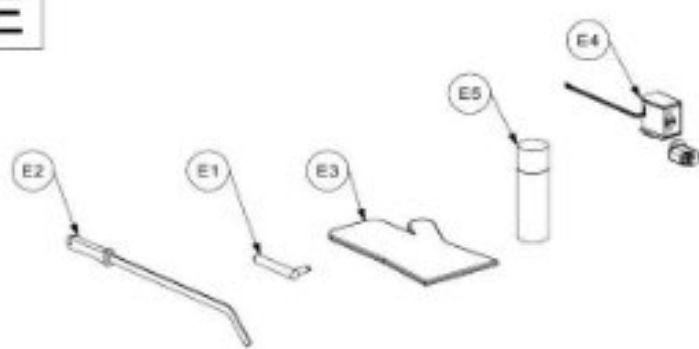
N°	MQ33 38333153
A1	993900217
A2	993062588
A3	993061841
A4	99J05700DA315
A5	99J14
A6	993900218
A7	993900209
A8	993062583
A9	993062109
A10	993900219
A11	993062595
A12	99J14
A13	993900220
A14	993900221
A15	993900222

N°	MQ33 38333153
B1	993062697
B2	993062696
B3	993062698
B4	993062270
B5	993062591
B6	993063045
B8	993043665
B9	993062695
B10	993043519
B11	993900204
B12	993900206
B13	993900223
B14	993062243
B15	993064544
B16	993900211
B23	993900224
B24	9920536
B25	993900225

N°	MQ33 38333153
C1	993045228
C2	993900226
C3	993900227
C4	993011838
C5	993900212
C6	993900228
C7	993900229
C8	993900230
D1	993062097
D3	993062092
D6	993900231
E1	993047631
E2	993020017
E3	993038548
E4	993900039
E5	993040785
E6	993900012
E8	993900216

A



**B****C****D****E**

**NESTOR  
MARTIN**  
WOODBBOX® TECHNOLOGY

SOTO DE LA MARINA - CANTABRIA

Apdo. de correos 208 SANTANDER

C07100DC126\_1

09/2018