

Maintenance & Servicing Guide

Harmony 13,23,33,43

Stanford 13,23,33

Stanford SP23,SP33

Wood & Multifuel Stoves

IN1195 Edition E March 2020



INTRODUCTION

Servicing your stove should not be seen as a chore but rather the means to getting the most efficient use and increasing the life of the stove. A badly maintained stove will run inefficiently, so you will burn more fuel, and if left unmaintained for a period could seriously damage the component parts within the stove which will then need replacing.

This booklet details the aspects of servicing and routine maintenance required.

Spares may be purchased from:

Your Local Nestor Martin Supplier

The Eurostove Web Site: www.eurostove.co.uk

Eurostove Spares Department:

Email: info@eurostove.co.uk

Tel: 01934 750500

The service engineer is responsible under the health and safety at work act 1974 vi the caustic nature of fire cement and the possibility of disturbing asbestos and other materials such as ceramic in existing installations and to suggest appropriate protection to be given to the person (s) carrying out the servicing. The complete servicing must be carried out with due reference to the British Standards, Codes of Practice and Building Regulations relevant to the fuel type installed, and the manufacturers installation instructions.

This document is a general service guide only. It does not replace the installation instructions or building regulations. No servicing should be undertaken unless the engineer is suitably qualified and competent.

Failure to have your stove serviced annually may forfeit any warranty given by the stove supplier.

Maintenance schedule

1. After the First Two Weeks of Operation

In the first few weeks the rope seals in the doors will bed in and also shrink slightly. Check that the doors are sealing properly when shut and adjust the handle latches accordingly. See pages 9 and 10.

2. Weekly or More Regularly if Necessary

A) Remove any ash that may have fallen from the ash pan in the stove under the grate. If this is allowed to build up it can foul the ash pan which may make closing the ash pan door difficult and allow air to leak into the stove from the ash pan door seal.

B) Check the operation of the riddle mechanism to ensure that it has not become jammed. If it has become hard to riddle, remove all ash from the fire bed and ensure that there is no clinker, nails or screws obstructing the movement of the grate.

3. Monthly

Visually check the condition of the door and glass seals, and if they have become frayed or are coming loose they may need replacing.

4. Every 3 Months

A) Remove the top two baffles, see pages 12 to 18, and remove any soot and debris that may have accumulated above them. This may have to be done more regularly if wet wood has been burned or poor quality smokeless fuel or anthracite.

B) Check the operation of the plexus and lubricate if necessary, see page 19. Tighten the grub screw in the air volume control knob with the small 2mm Allen key if it has become loose.

C) Check that the doors are sealing properly when shut and adjust the handle latches accordingly. See pages 10 and 11.

5. At the End of the Heating Season (Summer Shut Down)

A) Have the chimney swept and inspected by an approved (NACS) chimney sweep. The chimney may need sweeping more regularly dependant upon the fuel used and how often the stove is used.

B) Do all the above in the weekly, monthly and 3 monthly procedure.

C) Clean the inside of the stove removing all the cast iron components and remove any ash that may be behind them. Inspect the internal cast iron parts of the stove and replace if necessary. Before replacing them spray the steel combustion chamber and cast iron plates with a water repellent spray, e.g. WD40.

D) Lubricate the door handle shafts with a lubricant such as WD40.

6. At the Start of the Heating Season

A) Check the door rope seals so as to ensure an air tight seal. See page 9.

B) Check the operation of the riddle mechanism and the plexus control ensuring that the flaps open and close freely.

C) Light a small fire and ensure all the smoke is being vented up the chimney once the flue has reached working temperature. If there is any sign of the flue or stove not working as it did previously or smoke is being emitted into the room then contact your NACS chimney sweep.

Cleaning the Stove

Cleaning the Glass

Properly operated, with the correct fuel, your glass will remain clean. Slight staining may appear when the stove is lit and below its operating temperature. This will normally clear as the stove's temperature rises.

If it becomes necessary to clean the glass by hand do not attempt to do so unless the stove is cold. Proprietary glass cleaning agents are available but they must specifically state its suitability for ceramic stove glass before being used because the glass in your stove is not ordinary glass and may be damaged with an unsuitable cleaner.

Newspaper moistened with water to which a little vinegar has been added will normally remove most staining, but for really stubborn marks, gentle polishing with fine steel wool lubricated with a few drops of dish washing detergent will need to be employed. Great care must be taken not to clean the glass too vigorously as particles of grit may have adhered with the stain and these could cause scratching if dragged across the glass. However well the stove burns it will eventually become necessary to clean the glass, but if cleaning becomes necessary too often we advise you to review your operating procedures to determine whether cleaner and more efficient combustion can be achieved (only burn dry seasoned wood).

The Stove Body

Dusting the stove may be carried out when the stove is at its minimum heat output temperature, using light strokes of a real bristle paint brush. Thorough cleaning, or any attempt to remove marks on the stove body must only be done when the stove is cold. Stoves with an enamel finish should be cleaned with a damp cloth, or very gentle use of a cleaner recommended for enamel finishes. It should be noted that even approved cleaners will damage the highly polished finish of the stove if used too vigorously. All traces of the cleaner must be removed before the stove is lit and no finishing polishes must ever be used as these will leave unsightly streaks on the stove when it becomes hot.

Stoves with a cast black finish should never be cleaned with a cloth as the texture of the paint will abrade and collect lint from the cloth which will be almost impossible to remove. Vigorous brushing with a stiff real bristle paint brush will remove all dust, but where the paint is marked, the stains are better obliterated with a spray of suitable stove paint rather than attempts made to clean them off. Suitable paint may be purchased from a stove shop or direct from Eurostove.

Re-spraying the Stove Surface

Remove any dust and dirt with a stiff brush or vacuum with a brush attachment. Mask off any areas of the stove you do not wish to re-spray and the area surrounding the stove. The door handles and doors can be removed if required, see the section on hinge pin removal and door handle adjustment, page 6 and 9.

Shake the can vigorously for a minute to mix the contents and apply the paint thinly and evenly over the surface, avoid over application as this will produce unsightly runs on the surface. It is better to use a few thin coats than one thick one.



Order Numbers for Spray Paint

Surface to be Sprayed	Part Number	Size of Can
Cast iron body	40785	200ml
Rear heat shield	60429	400ml

Repair of the Enamel Surface

The enamel surface of the stove may become chipped if it is hit with a hard object such as a coal shovel or operating tool. Suitable cold enamel touch up paint used to be available, we can no longer supply this. To prepare the surface remove any loose or flaking enamel finish and brush or vacuum the area to remove any dust and dirt. If the touch up is supplied in a bottle shake vigorously for a minute to mix the contents. If supplied in a tube squeeze out some of the contents onto a clean sheet of paper and mix with a match stick as it may have become separated in the tube. Apply a thin layer of touch up to the surface allowing it to dry before applying further layers to build the surface up to the surrounding enamels height. Leave to dry before firing the stove.



If your stove has an enamel finish you will notice, after the stove has been used several times, it develops what is called a “crackle” pattern in the enamelling. This is caused by the different expansion rates between the enamel and the cast iron, it is normal and should not be regarded as a fault or indicating that the stove is beginning to shed its finish.

If the enamel surface in an area has been too badly damaged to touch up then all the panels on the stove can be removed and replaced. See the web site for part numbers and prices.

Brass Fittings

Any proprietary brass cleaner may be used to clean the brass on the stove, but care must be taken to ensure the polish does not come into contact with the stove enamel or the black cast finish, where it will leave a stain.

Nickel and Black Haematite Fittings

Any proprietary chrome or aluminium cleaner may be used to clean the decorative fittings on the stove, but care must be taken to ensure the polish does not come into contact with the stove enamel or the black cast finish, where it will leave a stain.

The Flue

Even if your flue is correctly lined it is advisable to run your stove at a high setting to thoroughly warm the flue periodically and ensure it is swept regularly. If the stove has not been used for some time it will be necessary to ensure the flue has not been blocked with twigs from home building birds or blocked with other obstructions before the stove is lit. Lighting a small piece of paper within the stove will determine the flue’s ability to remove any products of combustion.

National Association of Chimney Sweeps

Telephone: 01785 336555

The Solid Fuel Association

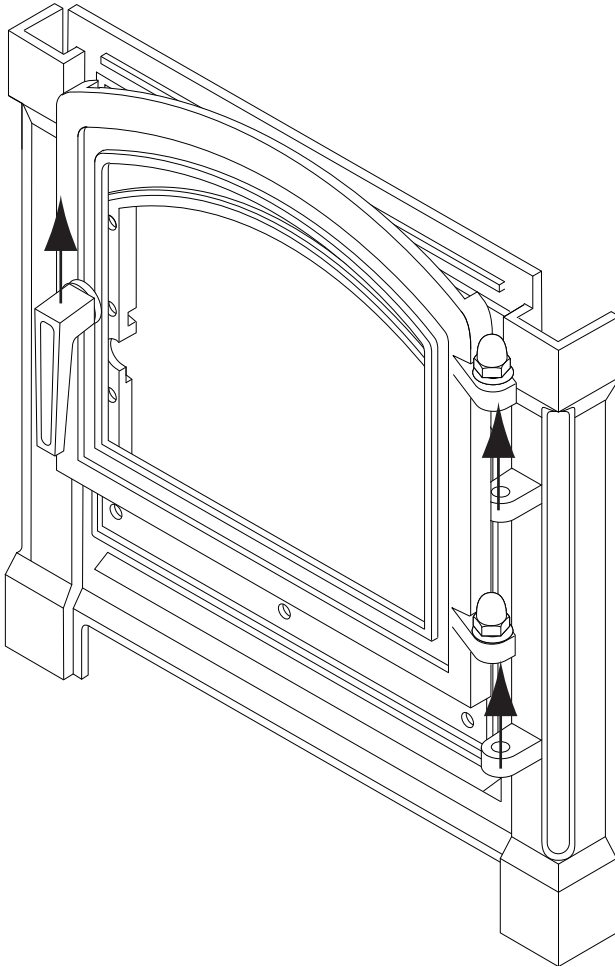
Telephone: 01773 835400

Front Door Removal

To remove the door undo the handle and open the door.

Lift the door and hinge pins straight up holding the hinge side of the door and the handle. If the hinge pins do not lift up easily, then by swinging the door into and away from the body of the stove whilst lifting should then free the hinge pins to rise upwards.

Reverse the procedure to refit ensuring that if there were any starlock washers fitted they are also refitted.



Open door and lift upwards holding hinge side of door and the handle.

Model	Hinge Pin	Brass washer	Brass Nut	Starlock Washer
H13	19915	17496	12430	
H23	18906	17496	12430	
H33	18906	17496	12430	
H43	18906	17496	12430	
S13	31848			42887
S23	31848			42887
S33	31848			42887
SP23	31848			42887
SP33	31848			42887

Glass and Glass Seal Set Replacement

When replacing the glass on any of the stove models supplied by Nestor Martin the glass seal should also be replaced. Failure to do so could cause damage to the glass or allow air into the stove in an uncontrolled manner which may be detrimental to the performance of the stove.

The seals should be changed regularly and replaced if they have become damaged or show signs of leakage. The glass seals may be either a rope seal and or a ceramic fibre gasket. In all cases these are interchangeable. It may be easier to replace the glass by removal of the door and lying it down on a stable flat surface.

Glass and Seal Set Removal

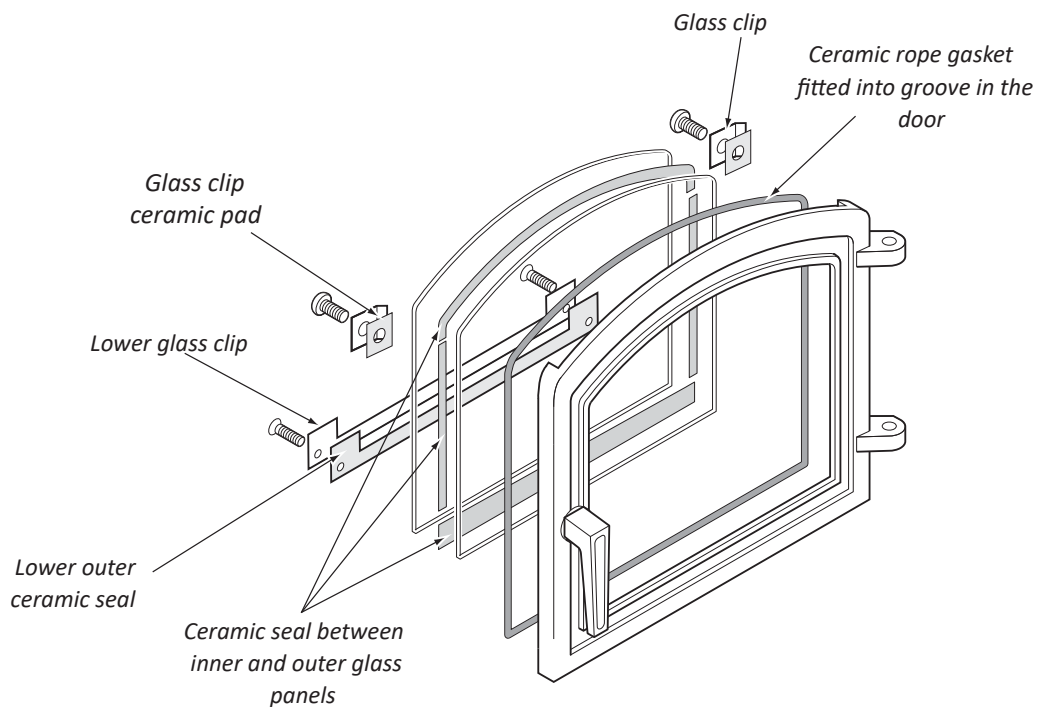
Undo the four glass clip screws and carefully lift off the glass clips and panels from the door frame. With a blunt instrument such as a screwdriver scrape away the old ceramic glass seal from the door frame. If it has a rope seal which needs to be renewed pull out the old rope seal and with a blunt instrument such as a screwdriver scrape away the old rope glue and any dirt. Clean away any remaining residue with a wire brush.

Always use new seals do not re-use any of the seals previously fitted.

Fit the inner door to outer glass seal, either rope or ceramic fibre gasket, and lay the first panel of glass onto it. Then lay the ceramic gasket or stick the flat rope seal for the two glass panels onto the first glass panel and then place the second panel on top of the seal. Put the glass clip gaskets or stick the flat rope seal in the glass clips and push the retaining screw or bolt through the glass clip and seal. Screw these to the door frame so as to hold the glass panels in place.

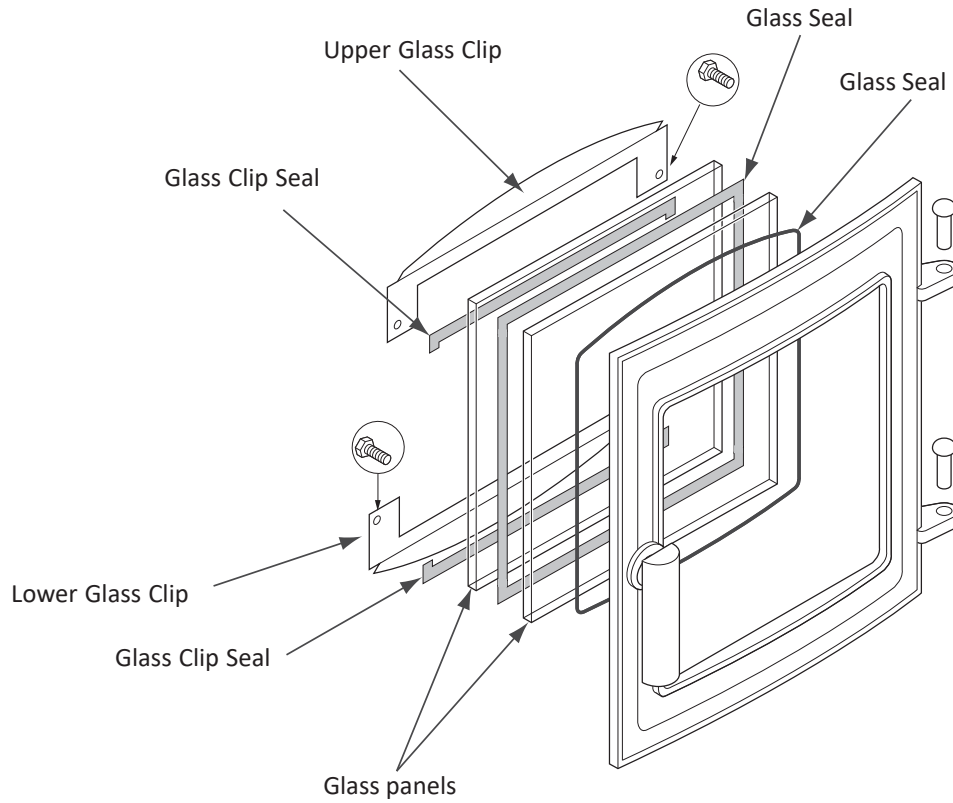
Do not over tighten the screws or bolts as this could cause the glass to crack when the stove gets hot. Ensure that when you push down on the glass near the glass clips there is some movement to allow for the differing expansion coefficients of the different materials.

Harmony Stoves



Stove Model	Seal Set	Glass	Upper Glass Clip	Lower Glass Clip
Harmony 13	MS2308	32724	43438 & 43437	43344
Harmony 23	MS2329	MS0775	44143 x 2	44267
Harmony 33	MS2329	MS0771	44212 x 2	44213
Harmony 43	MS2330	MS0779	44212 x 2	43904

Stanford Stoves



Order Numbers for Glass and Glass Seal Kits

Stove Model	Seal Set	Glass	Upper Glass Clip	Lower Glass Clip
Stanford 13	MS2328	MS0782	43345	43419
Stanford 23	MS2329	MS0776	44367	44366
Stanford 33	MS2329	MS0773	43314	43313
SP23	MS2329	MS0776	44367	44366
SP33	MS2329	MS0773	43314	43313

NEVER CLAMP THE GLASS CLIPS DOWN TIGHT ONTO THE GLASS OR FIT THE GLASS CLIPS WITHOUT THE CERAMIC PADS UNDERNEATH AS THIS MAY LEAD TO THE GLASS BREAKING.

Full instructions for using the flat self-adhesive glass seal kit can be found in the kits supplied and Product Bulletin PB105 on our website.

Rope Seal Replacement for Front and Ash Pan Doors

Replace the door rope seals at least every two years and adjust the door latches regularly to maintain a good air tight seal .

The ceramic rope seals on the two doors need inspecting regularly and replacing when they become damaged or when the adjustment of the door handles will not maintain an air tight seal. To check if the seals are tight you need a piece of standard A4 copier paper, cut it in half and then fold it in half. Shut it into the door in various places with the door handle closed. If the seal holds the paper tight and it is difficult to withdraw it then the seal is good. If when it is pulled it slides out easily then the door handles will need adjustment or the rope seal will require replacement.

Failure to maintain a good seal will allow uncontrolled air to enter the stove. This can cause over firing, excess heat, which can damage the internal components of the stove. Symptoms of this are a stove burning uncontrollably even when the air inlets are shut down. The glass becoming dirty due to cold air passing over it causing soot particles to adhere to the cold glass surface. The glass becoming crazed and or opaque is another symptom of the door seal leaking air into the stove.

Order Numbers for Door Rope Seal Kits

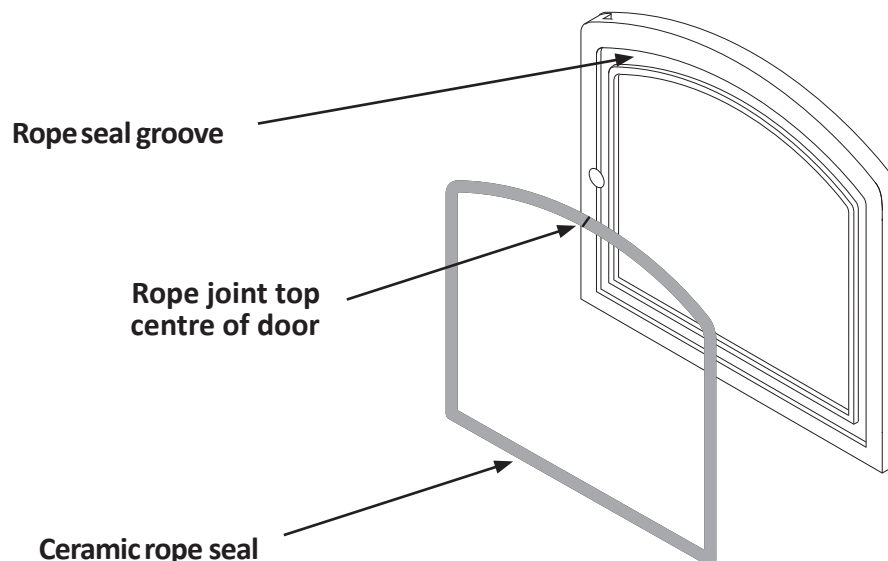
Removal of Old Rope Seal

Pull the old rope seal from the rope groove, it may require a flat bladed screw driver to lift it from the groove. Clean the groove of all accumulated dirt and old rope glue, a flat bladed screw driver and wire brush are recommended to clean the groove.

Fitting New Rope Seal

The ceramic rope in the seal set kits it cut to an approximate length, as the kits fit various stoves. Run the rope around the rope groove and cut it to the required length. Remove it from the groove and apply a bead of rope glue into the rope groove. Push the rope back into the groove ensuring that the joint is at the top and fitting tightly together. Close the door and adjust the handle latch accordingly.

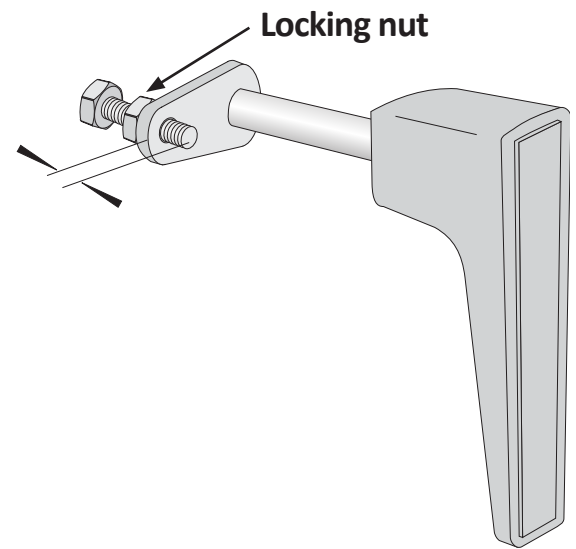
Stove Model	Part No.
Harmony 13	RO176
Harmony 23	RO177
Harmony 33	RO177
Harmony 43	RO179
Stanford13	RO176
Stanford23	RO177
Stanford33	RO177
SP23	RO177
SP33	RO177



Handle Latch Adjusting

It is best to soak the bolt and nut with a penetrating oil for a few minutes before trying to adjust them.

To adjust the furnace door handle latch, loosen the locking nut and adjust the bolt as required. Re-tighten the locking nut. The adjustment should be made so that when the handle is in its closed position the door is air tight.

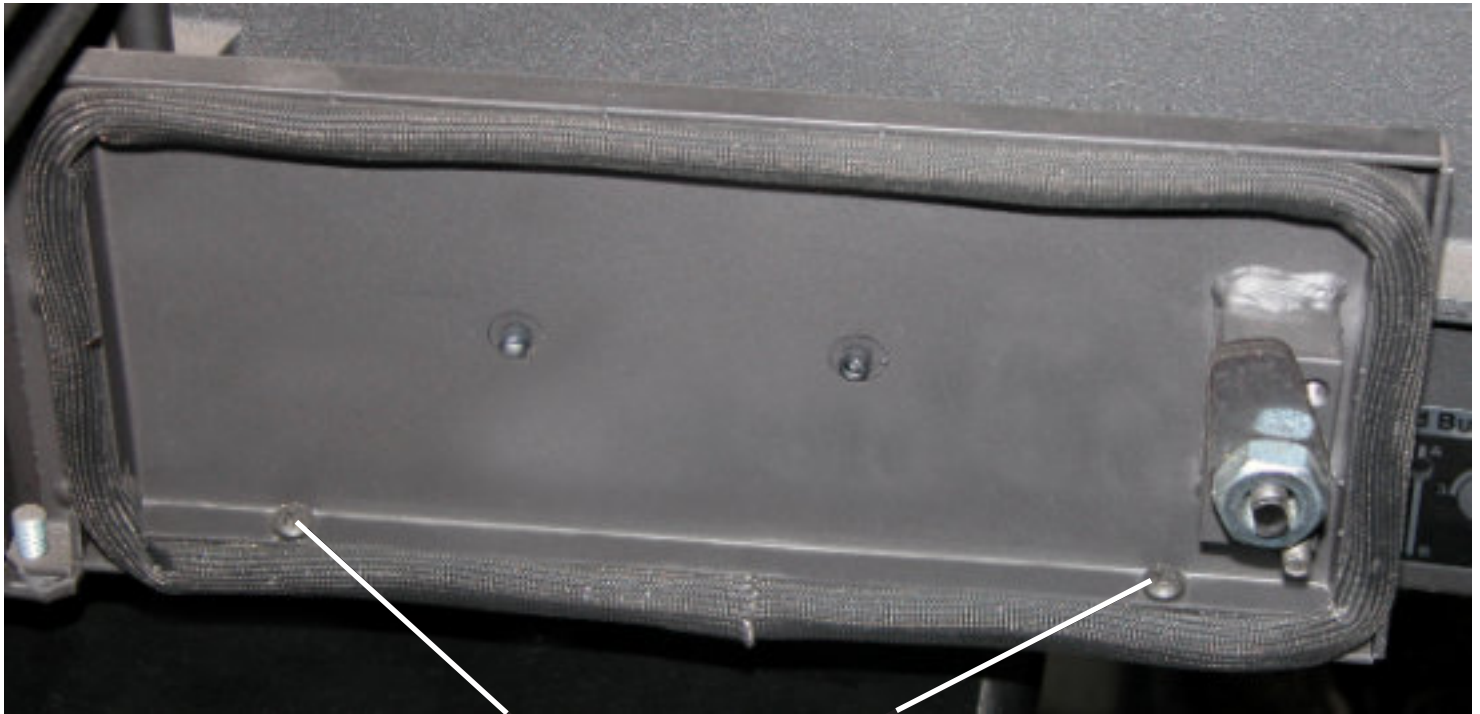


Ash Pan Door with Hollow Rope Seal

Removal of Old Hollow Rope Seal

If there are any self tapping screws holding the hollow rope seal in place remove these. Pull the old rope seal from the rope groove, it may require a flat bladed screw driver to lift it from the groove. Clean the groove of all accumulated dirt and old rope glue, a flat bladed screw driver and wire brush are recommended to clean the groove.

Fitting New Hollow Rope Seal



**Self Tapping
Retaining Screws**

The hollow rope in the seal set kits is cut to an approximate length, as the kits fit various stoves. Run the rope around the rope groove and cut it longer than is required by about 20mm so that one end can be tucked into the other to make a good seal. Remove it from the groove and apply a bead of rope glue into the rope groove. Push the rope back into the groove ensuring that the joint is at the top and fitting tightly together. Replace any self tapping screws that you may have been removed to take out the old rope seal. Close the door and adjust the handle latch accordingly.

Door Handle Replacement

The door handles are supplied in a complete kit form, with handle washers, spacers and latching blade. The most common reason for a handle to be replaced is when the stove has stood idle over the summer and the handle latch and shaft have not been lubricated with WD40 or a similar product prior to the summer shut down period. The latch becomes very stiff to move and the excess force needed to move the latch breaks the roll pin which holds the handle shaft in place. If this has broken the whole handle assembly will need replacing unless you are able to remove the old pin and fit a new roll pin, part number [11338](#).

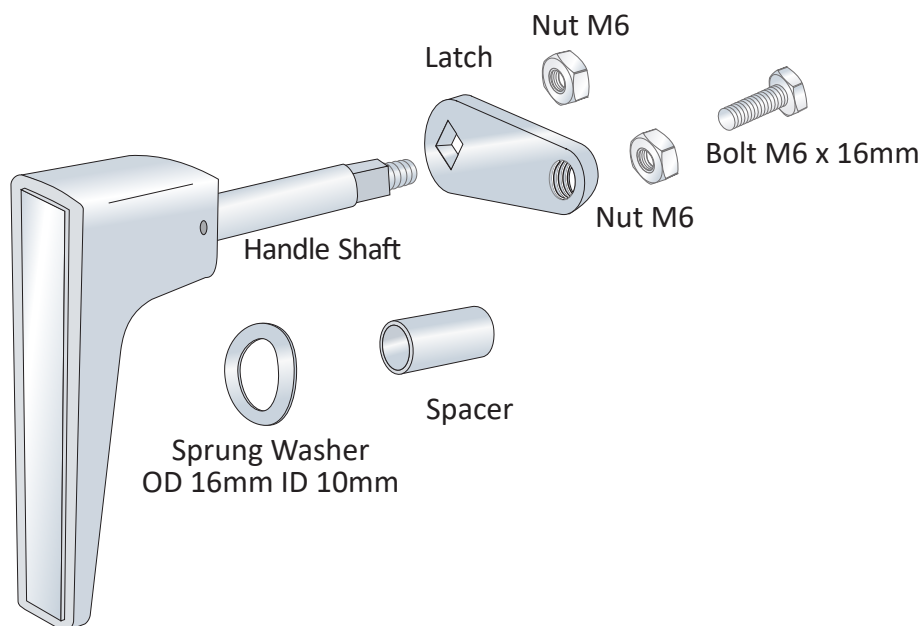
If the handle has broken off the shaft and the shaft has seized into the door frame, and the door is closed, then the shaft will have to be sprayed with WD40 or a similar penetrating oil. Leave this to soak for some time. Then with a pair of mole grips or similar type of spanner turn the shaft to open the door. Once the door is open spray the inside of the shaft and the outside again with WD40 and leave to soak. The shaft can then be gently knocked through the frame of the door, taking care as the door frame is cast iron and can crack.

Harmony Brass and Stanford Nickel Handle Kits

Stove Model	Brass Kit	Stove Model	Nickel Kit
Harmony 13	43214	Stanford 13	39649
Harmony 23	44227	Stanford 23 /SP23	39653
Harmony 33	43812	Stanford 33 / SP33	39653
Harmony 43	43812	Stanford 43	39653

Harmony Nickel Handle Kits

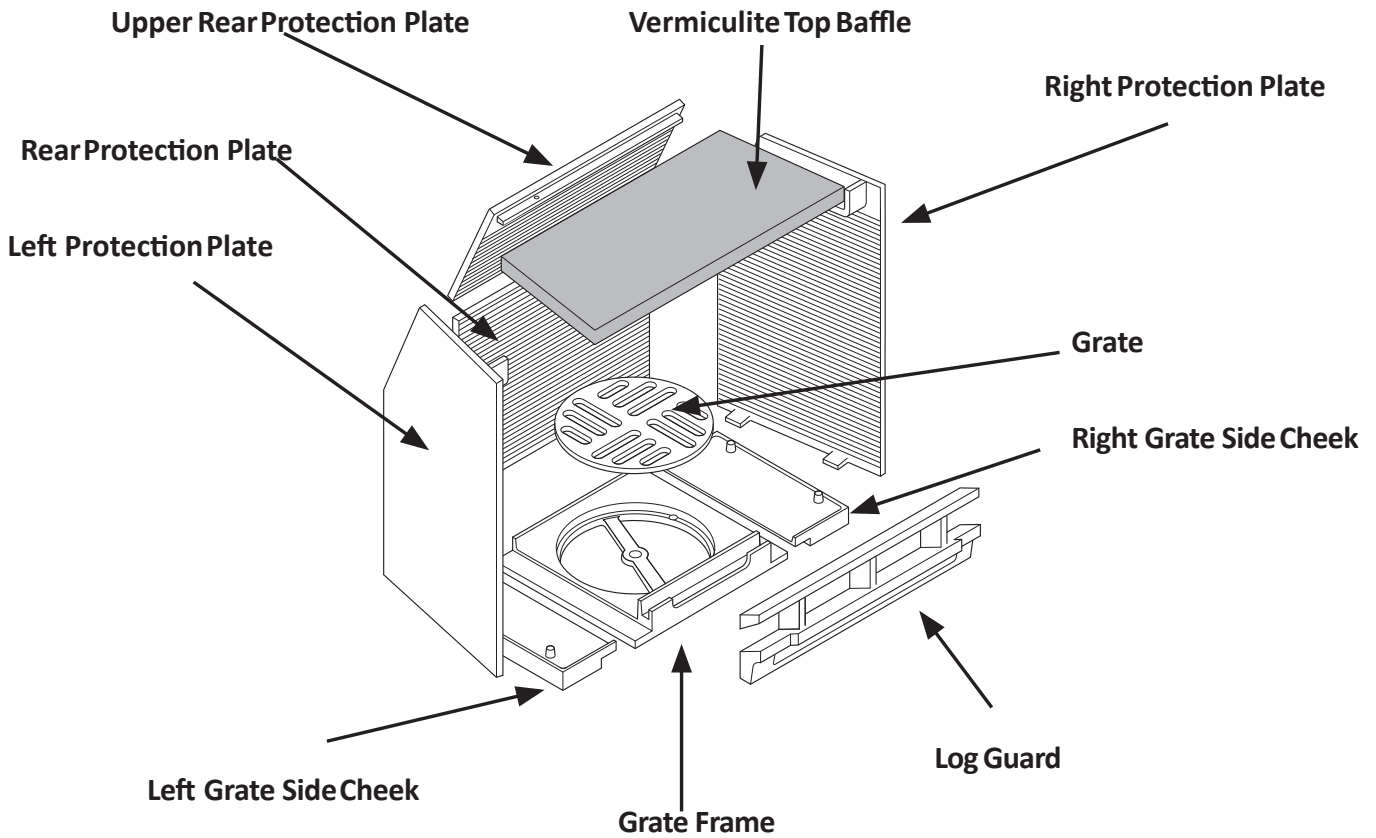
Stove Model	Nickel Kit
Harmony 13	MS91072
Harmony 23	67120
Harmony 33	67097
Harmony 43	67098



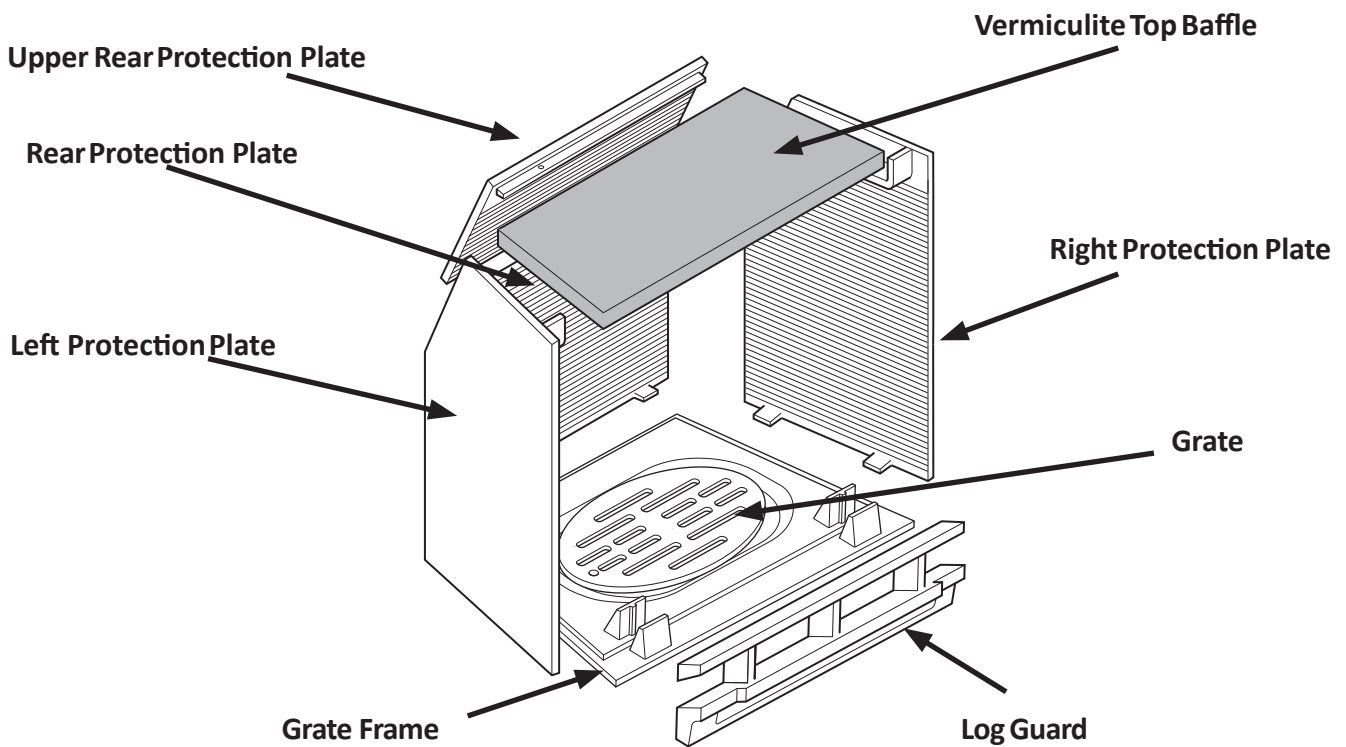
The black haematite handles are no longer available for the Harmony and Stanford stoves.

Firebox Components

Harmony 13 and Stanford 13 Firebox Components



Harmony 23/33/43, Stanford 23/33 and SP23/33 Firebox Components



Firebox Size	13	23	33	43
Description	Part No.			
Grate	47311	38256	38256	38262
Grate Frame	32796	44098	42294	42937
Right Side Cheek	32798			
Left Side Cheek	32798			
Upper Rear Protection Plate	43537	44100	43491	
Rear Protection Plate	43539	44102	43526	43938
Right Protection Plate	43535	44106	43530	42929
Left Protection Plate	43541	44104	43528	42931
Vermiculite Top Baffle	MS9203	MS9189	43519	MS9213

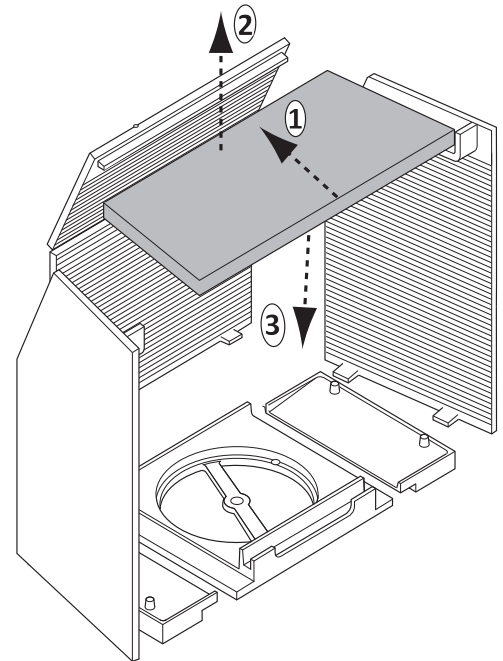
Harmony 13 & Stanford 13 Firebox Parts Removal

Removal of the Top Baffle H13 & S13

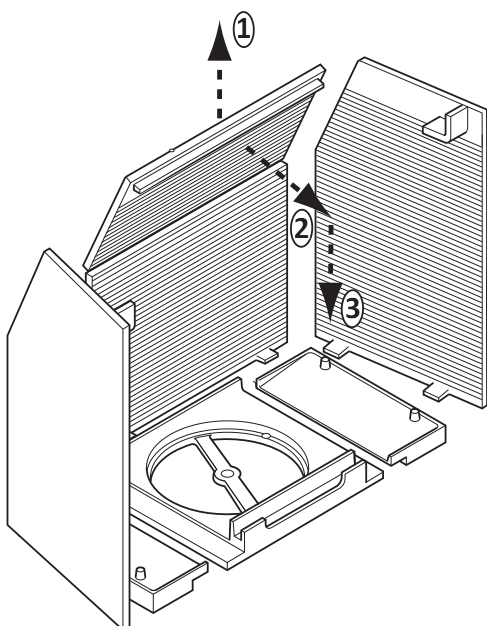
The vermiculite top baffle will need removing at regular intervals, dependant upon the stoves use, to remove any soot and debris which may have accumulated on top of it. If this is not done the flue way will become choked and the stove will not operate efficiently.

The top mica baffle is located in the top of the fire box where it sits on the L shaped baffle support lugs which are part of the casting of the left and right side protection plates.

For easier access remove the front fuel guard. To remove (1) lift the front of the baffle board upwards above the height of the locating lugs (2) whilst lifting the front of the board slide it towards the front of the fire box. The rear edge of the baffle does not quite fully pass the front edge of the upper rear protection plate (3). This should be pushed back at the top to allow the rear of the baffle to be dropped down, (4) allowing the baffle to be pulled down into the main body of the fire box. It can then be angled to withdraw it through the door.



To refit the replacement reverse the procedure. If the new baffle seems to be a little tight then cut off a small amount from the length of the board with a fine toothed wood saw, generally 2mm will be enough.



Removal of the Upper Protection Plate H13 & S13

The upper protection plate is held in place by the two side protection plates. To remove (1) lift up the plate and then (2) draw it towards the front of the fire box.

As it is drawn forward (3) pull the front edge downwards so moving it free of the side protection plates. It can then be angled within the fire box to withdraw it through the door.

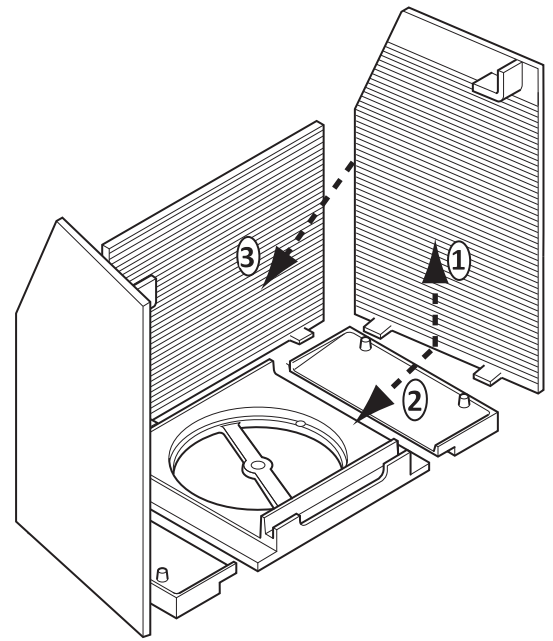
To refit the replacement reverse the procedure.

Removal of the Side Protection Plate H13 & S13

To remove (1) lift up the plate so it is higher than the lugs on the lower side protection plates and then (2) draw it towards the centre of the fire box.

As it is drawn towards the centre (3) twist the rear edge towards the front of the fire box. It can then be angled within the fire box to withdraw it through the door.

To refit the replacement reverse the procedure.

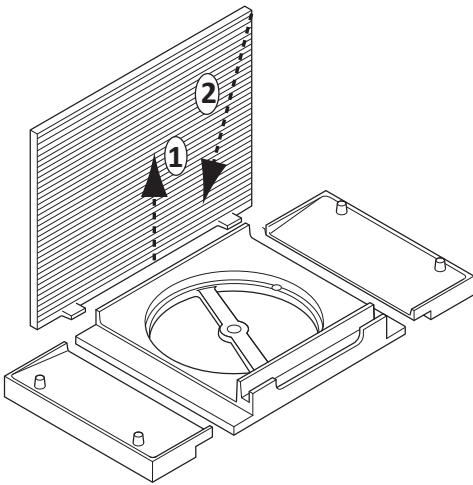


Removal of the Rear Protection Plate H13 & S13

To remove (1) lift up the plate so it is higher than the lugs on the grate frame and then (2) draw it towards the centre of the fire box.

As it is drawn towards the centre twist the edge towards the front of the fire box. It can then be angled within the fire box to withdraw it through the door.

To refit the replacement reverse the procedure.



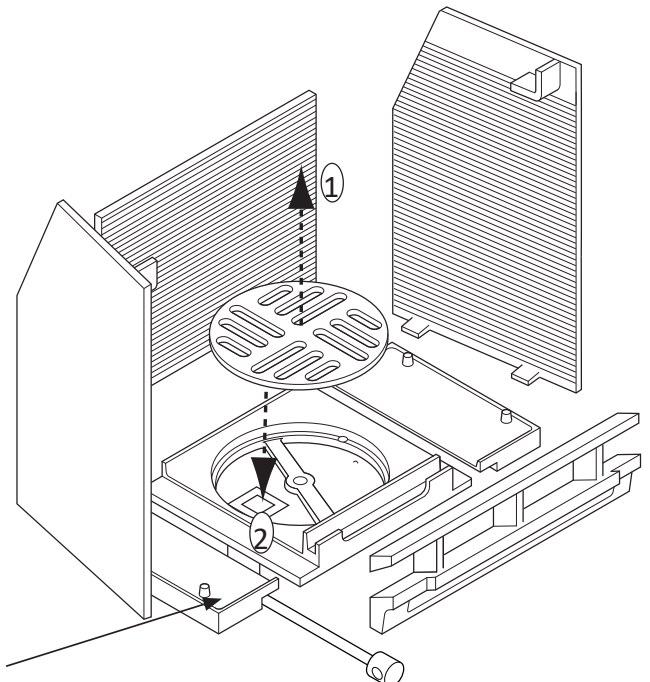
Removal of the Grate H13 & S13

To remove (1) lift up the grate so it is higher than the grate frame and then it can be withdrawn from the fire box.

To refit the replacement reverse the procedure (2) ensuring that the lug on the bottom of the grate locates in the riddle arm.

Removal of the Grate Frame H13 & S13

With the baffle plate, log guard and side protection plates removed. Lift out the two cast iron bottom protection plates from either side of the grate frame. The grate frame can then be lifted out of the stove. When refitting the cast iron bottom protection plates ensure that the lugs are upwards.



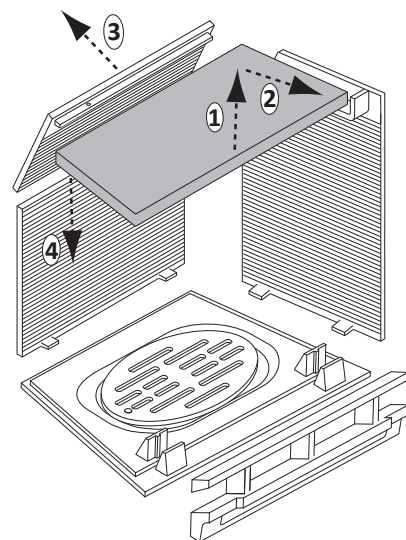
Cast Iron Grate Side Cheek
with the Lugs Uppermost

Harmony 23, Stanford 23 & SP23 Firebox Parts Removal

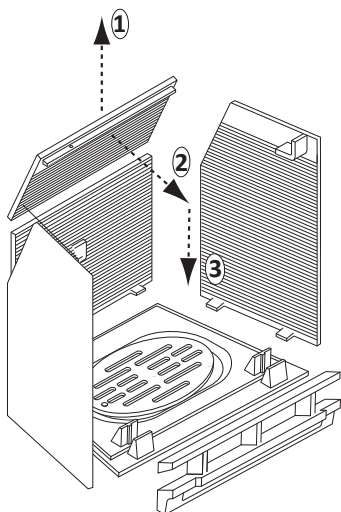
Removal of the Top Baffle H23, S23 & SP23

The vermiculite top baffle will need removing at regular intervals, dependant upon the stoves use, to remove any soot and debris which may have accumulated on top of it. If this is not done the flue way will become choked and the stove will not operate efficiently.

The top mica baffle is located in the top of the fire box where it sits on the L shaped baffle support lugs which are part of the casting of the left and right side protection plates. For easier access remove the front fuel guard. To remove (1) lift the front of the baffle board upwards above the height of the locating lugs (2) whilst lifting the front of the board slide it towards the front of the fire box. The rear edge of the baffle does not quite fully pass the front edge of the upper rear protection plate. (3) This should be pushed back at the top to allow the rear of the baffle to be dropped down, (4) allowing the baffle to be pulled down into the main body of the fire box. It can then be angled to withdraw it through the door.



To refit the replacement reverse the procedure. If the new baffle seems to be a little tight then cut off a small amount from the length of the board with a fine toothed wood saw, generally 2mm will be enough.



Removal of the Upper Protection Plate H23, S23 & SP23

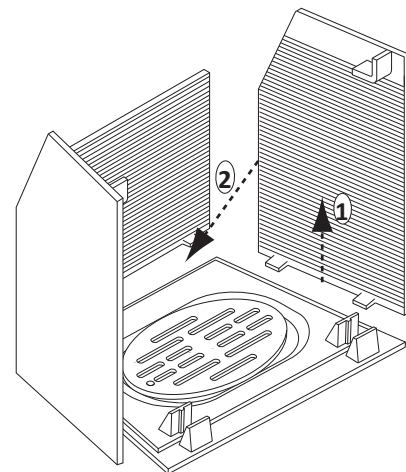
The upper protection plate is held in place by the two side protection plates. To remove (1) lift up the plate and then (2) draw it towards the front of the fire box. As it is drawn forward (3) pull the front edge downwards so moving it free of the side protection plates. It can then be angled within the fire box to withdraw it through the door.

To refit the replacement reverse the procedure.

Removal of the Side Protection Plate H23, S23 & SP23

To remove (1) lift up the plate so it is higher than the grate frame and then (2) twist the rear edge towards the front of the fire box. It can then be angled within the fire box to withdraw it through the door.

To refit the replacement reverse the procedure.

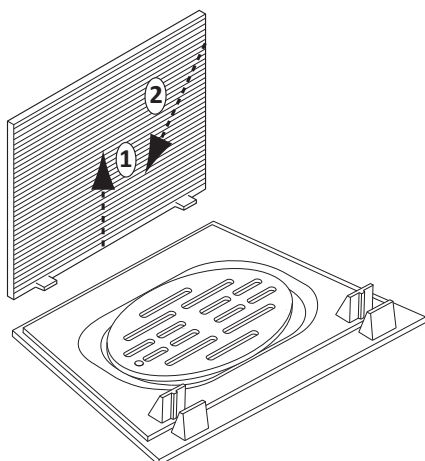


Removal of the Rear Protection Plate H23, S23 & SP23

To remove (1) lift up the plate so it is higher than the grate frame and then (2) draw it towards the centre of the fire box.

As it is drawn towards the centre twist the edge towards the front of the fire box. It can then be angled within the fire box to withdraw it through the door.

To refit the replacement reverse the procedure.

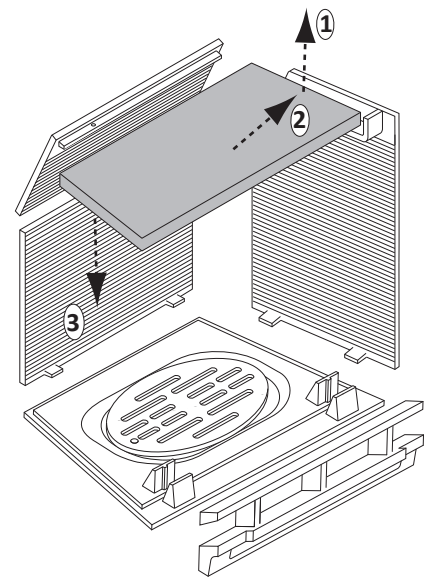


Harmony 33/43 Stanford 33/43 & SP33 Firebox Parts Removal

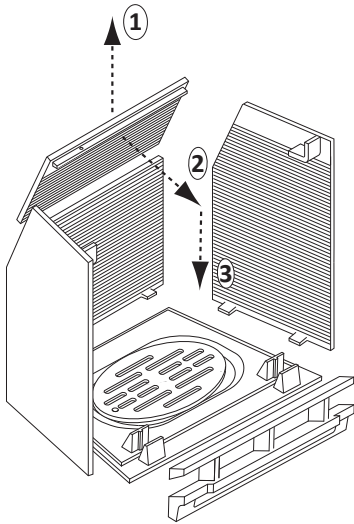
Removal of the Top Baffle H33,43 S33,43 & SP33

The vermiculite top baffle will need removing at regular intervals, dependant upon the stoves use, to remove any soot and debris which may have accumulated on top of it. If this is not done the flue way will become choked and the stove will not operate efficiently.

The top mica baffle is located in the top of the fire box where it sits on the L shaped baffle support lugs, which are part of the casting of the left and right side protection plates. For easier access remove the front fuel guard. To remove (1) lift the left or right hand side of the baffle board upwards as far as it will lift. (2) Slide it to that side so it moves clear of the lug on the other side and (3) then drop it down into the fire box. It can then be angled to withdraw it through the door.



To refit the replacement reverse the procedure. If the new baffle seems to be a little tight then cut off a small amount from the length of the board with a fine toothed wood saw, generally 2mm will be enough.



Removal of the Upper Protection Plate H33, S33 & SP33

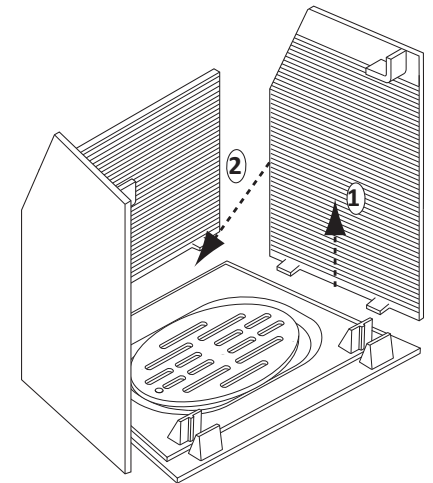
The upper protection plate is held in place by the two side protection plates. To remove (1) lift up the plate and then (2) draw it towards the front of the fire box. As it is drawn forward (3) pull the front edge downwards so moving it free of the side protection plates. It can then be angled within the fire box to withdraw it through the door.

To refit the replacement reverse the procedure.

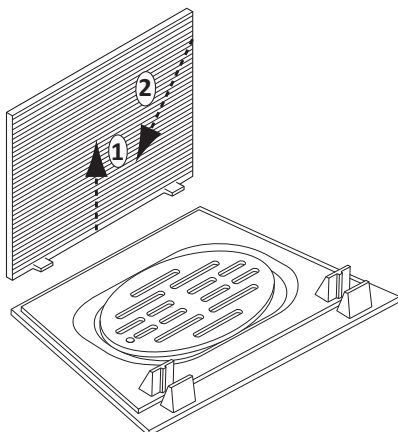
Removal of the Side Protection Plate H33,43, S33,43 & SP33

To remove (1) lift up the plate so it is higher than the grate frame and then (2) twist the rear edge towards the front of the fire box. It can then be angled within the fire box to withdraw it through the door.

To refit the replacement reverse the procedure.



Removal of the Rear Protection Plate H33,43, S33,43 & SP33



To remove (1) lift up the plate so it is higher than the grate frame and then (2) draw it towards the centre of the fire box.

As it is drawn towards the centre twist the edge towards the front of the fire box. It can then be angled within the fire box to withdraw it through the door.

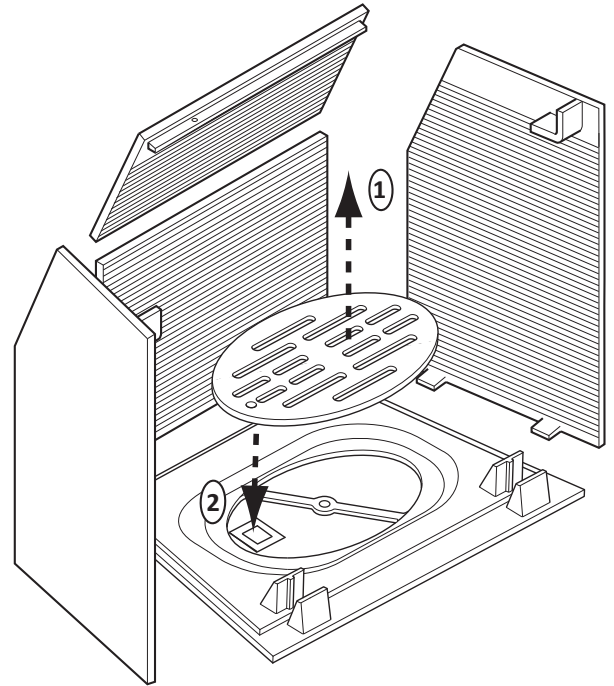
To refit the replacement reverse the procedure.

Harmony 23/33/43, Stanford 23/33/43 & SP23/33 Grate Removal

Removal of the Grate

To remove (1) lift up the grate so it is higher than the grate frame and then it can be withdrawn from the fire box.

To refit the replacement reverse the procedure (2) ensuring that the lug on the bottom of the grate locates in the riddle arm.



Removal of the Grate Frame.

With the baffle plate, log guard and side protection plates removed. Lift out the grate. The grate frame can then be lifted out of the stove.

Top Flue Winged Baffle Plate Removal Harmony 23/33, Stanford 23/33 & SP23/33

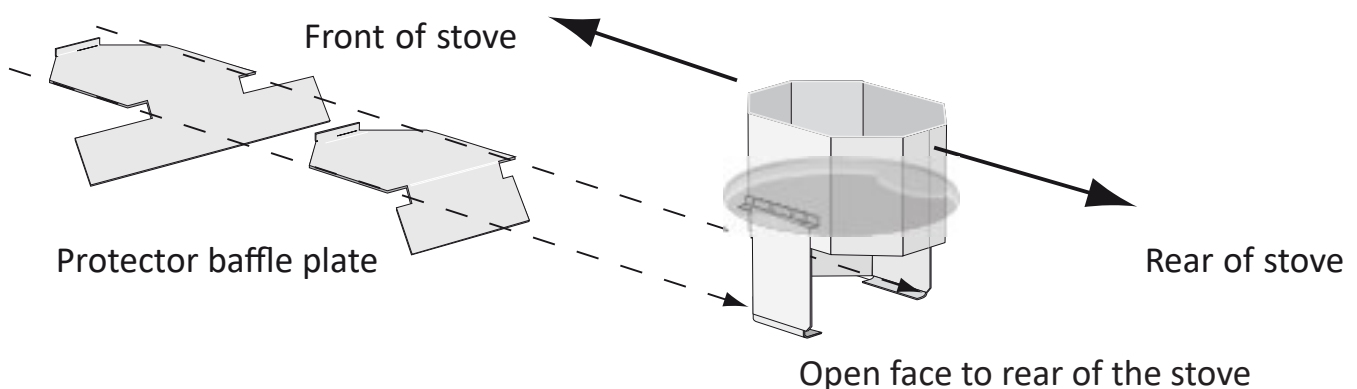
The top flue winged baffle plate will need removing at regular intervals, dependant upon the stoves use, to remove any soot and debris which may have accumulated on top of it. If this is not done the flue way will become choked and the stove will not operate efficiently. The chimney sweep will also need to remove this baffle plate when sweeping the flue.

To access the top flue winged baffle the vermiculite top baffle will need to be removed. It may also be advantageous to remove the upper cast iron protection plate.

The winged baffle slides out of the octagonal flue protection collar by pulling it towards the front of the stove. To replace the baffle slide it back into the octagonal collar until the small raised lip touches the front face of the collar. The wing should be pointing downwards and towards the back of the stove.

This baffle plate must be fitted to the hexagonal collar or the stove will be slow to come up to temperature on lighting.

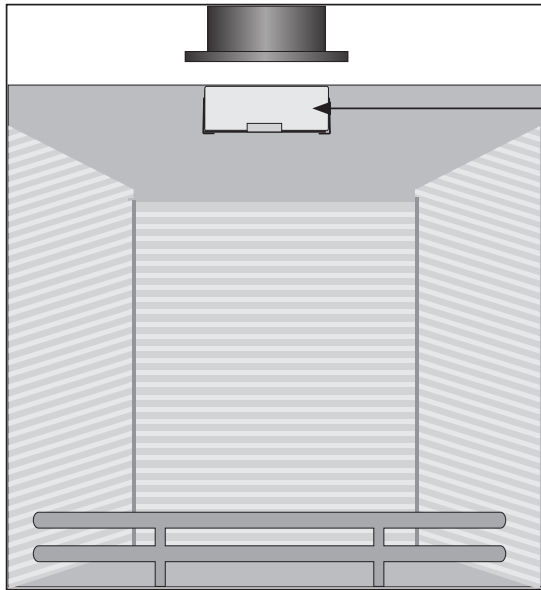
Note: The winged baffle plate is not fitted to the H43 and none of the assembly is required when the stove is utilising its rear flue option.



Harmony 13 & Stanford 13 Mk2 Top Flue Baffle

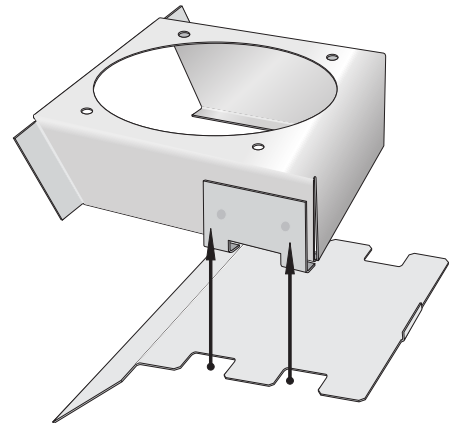
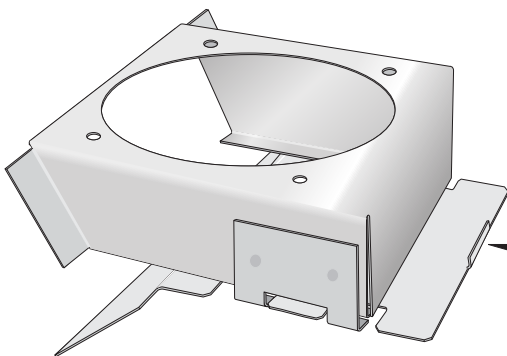
Removal of the Flue Winged Baffle Plate

The top flue winged baffle plate will need removing at regular intervals, dependant upon the stoves use, to remove any soot and debris which may have accumulated on top of it. If this is not done the flue way will become choked and the stove will not operate efficiently. The chimney sweep will also need to remove this baffle plate when sweeping the flue.



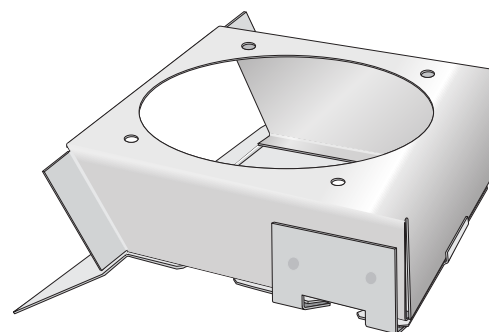
The flue baffle is fixed to the top of the stove below the flue outlet.

Lift the flue baffle plate up to the flue baffle. The wing towards the back of the stove and with the wing angled downwards. The lugs on the flue baffle plate should be located in the cut out on the base of the flue baffle.



Once the lugs have been located into the cut out on the base of the flue baffle, slide it towards the back of the stove until it is fully pushed in.

The baffle plate is in the correct position when the small upturn on the baffle plate is against the facing wall of the flue baffle.

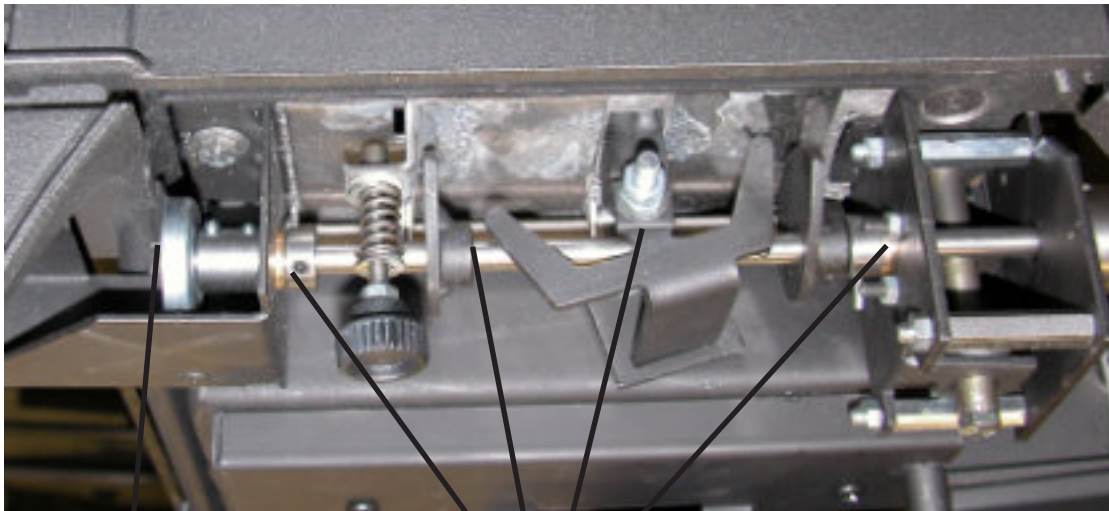


Plexus Air Control

Maintenance of the Plexus Air Control

The air volume control knob has a small grub screw (FF4029) which fixes it onto a rod which operates the air control, plexus unit. If the grub screw works loose over time then it will need to be tightened back up using the small Allen key that is supplied with the stove. Ensure that the grub screw is tightening down onto the flat surface on the rod.

The unit itself needs very little maintenance other than a small amount of lubrication if the controls become stiff. A light oil, such as WD40, is all that is required and can be applied whilst the plexus unit is fitted to the stoves body. The picture below shows the points at which the oil should be to be applied.

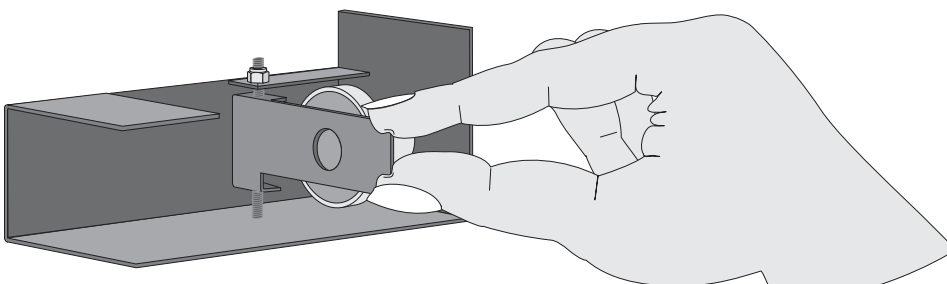


Point where a small amount copper grease can be applied.

Points where a small amount of a light oil can be applied.

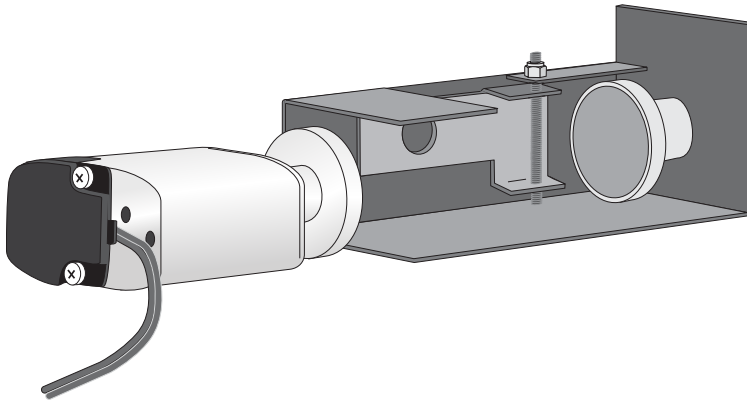
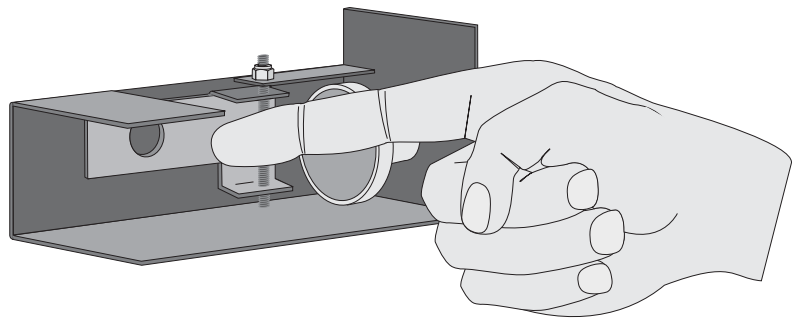
At the rear of the plexus is the magnet where a remote control motor can be attached. If there is no remote fitted to the stove then there is a metal gate that is closed over the magnet. It may be necessary to apply some copper grease to the face of this magnet if the controls become very stiff or if the motor becomes noisy when used.

If there is no motor push away the gate and apply a small amount of copper grease to the face of the magnet before allowing the gate to swing back onto the magnet. If there is a remote motor fitted slide it back enough to allow the application of a small amount of copper grease.



Gate covering the magnet face

Push the gate away from the magnet



Slide the motor away from the magnet

Plexus Removal

In the unlikely event that the plexus needs to be removed it can be done by following these steps.

1) Remove the Two Control Knobs

Using the small Allen key supplied with the stove undo the grub screw in the control knobs and slide them off their respective shafts.

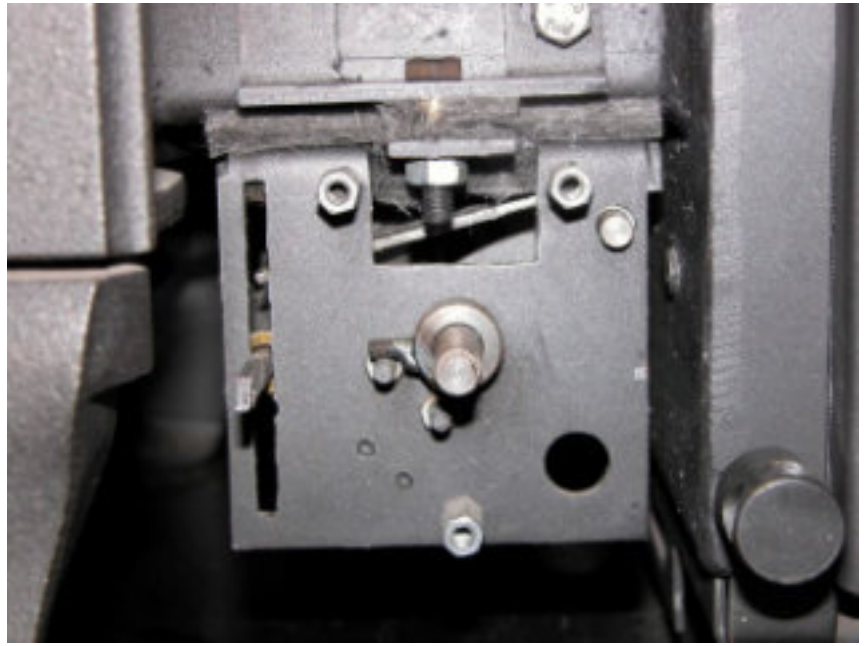
2) Remove the Front Fascia Plate

There are three screws holding the fascia plate onto the body of the plexus, remove these and slide the plate away from the body of the plexus unit.



4) Remove the Front Fixing Bolt

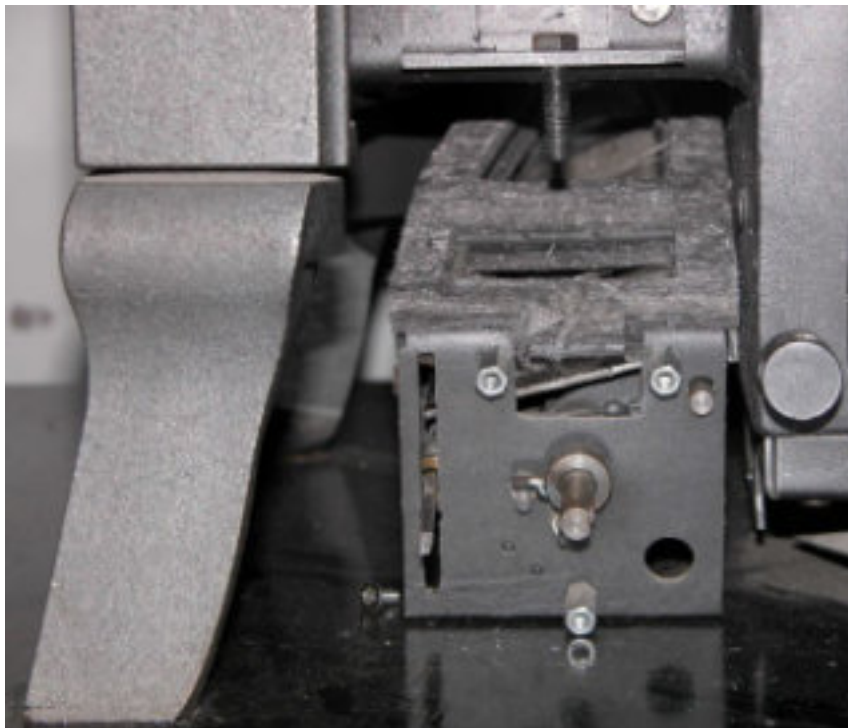
There is a fixing bolt at the front of the plexus which holds the unit against the base of the stove, see pictures below. This needs to be removed.



5) Drop the Front of the Plexus Down

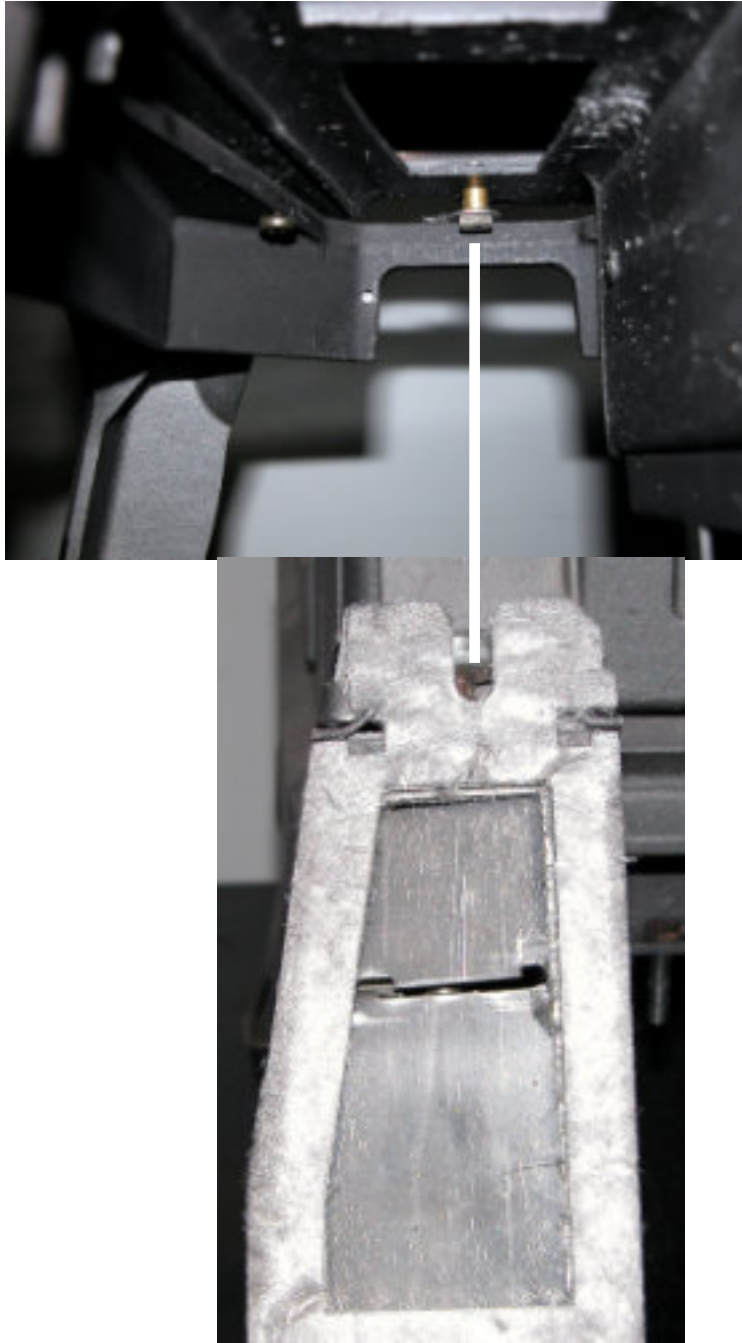
Once the bolt has been removed the front of the plexus unit can then be lowered down and slid forward to remove it from the body of the stove.

If the ceramic felt gasket is damaged this will need to be replaced or air will leak in causing uncontrolled combustion.



6) Replacing the Plexus Air Control

To fit the plexus control back onto the stove the locating slot on the rear of the unit should be slid onto the locating bolt at the rear of the stove, see pictures below.



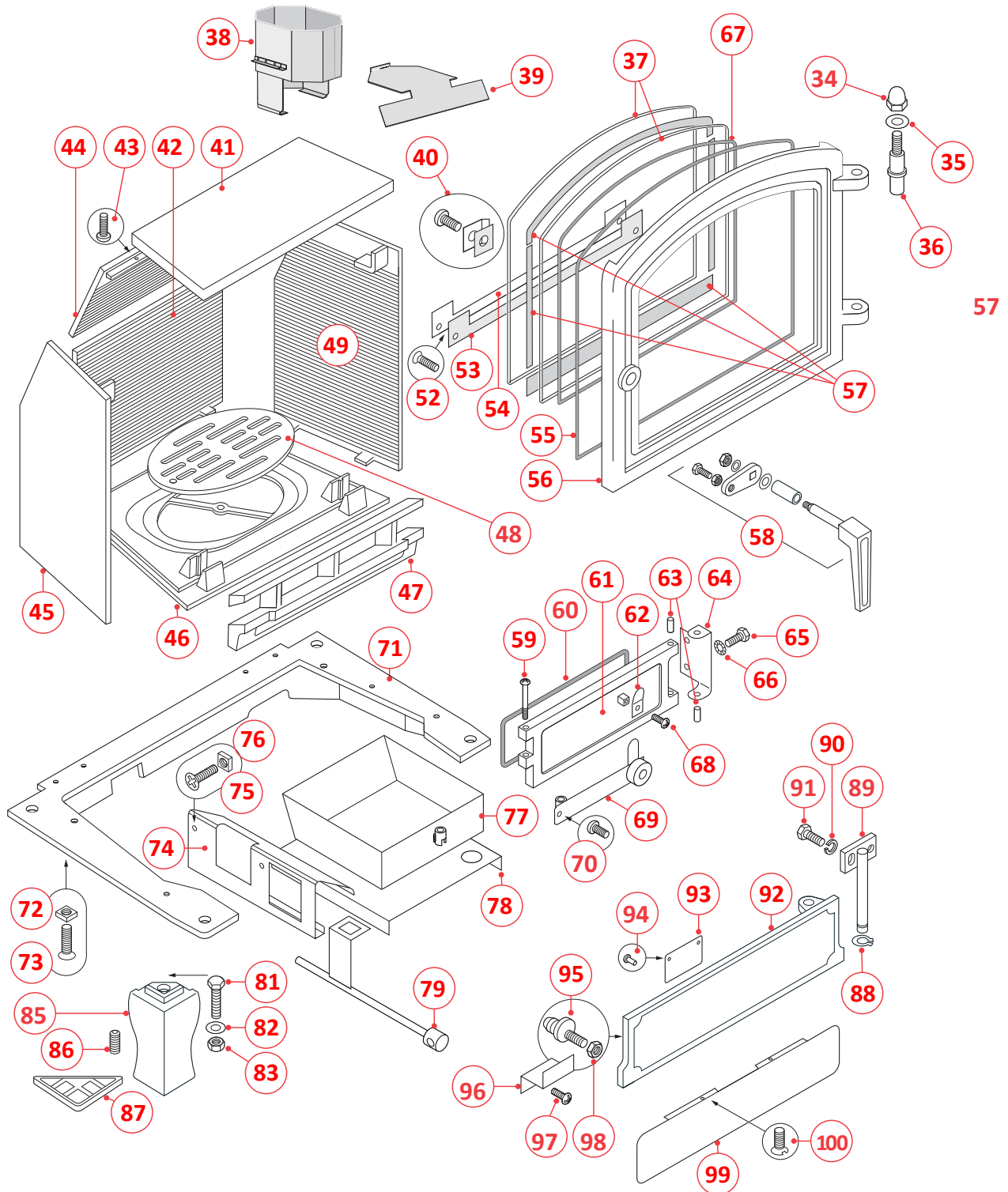
Once the plexus is in position replace the front retaining bolt to hold the unit in place. The fascia plate and both control knobs can then be fitted.

Once the plexus is fitted check to ensure that the controls operate the flaps on the unit. Placing a mirror under the stove is an easy way of looking up at the flaps to see them opening and closing.

Light the stove and again check that the stove responds to the controls.

Spare Parts on the Web.

Below is an example of one the pages of spare parts diagrams you will find on our web site. These detailed drawings allow you to identify all the component parts of the stove. If you click on the numbers within the circles it will give you the part number and the price and availability of each item. These can then be ordered through your nearest retail outlet or online.



Eurostove and Nestor Martin have a policy of continual research and development and reserve the right to modify its appliances without prior notice.

We make every effort to ensure that the information provided in this document is correct and accurate at the time of printing. Continued updates occur to adapt documents to customer requirements and appliance changes. For the latest editions of all Eurostove documentation visit our web site www.eurostove.co.uk.

We would request that you inform Eurostove of information which you feel is not provided in this document which would assist other users in the future.



www.eurostove.co.uk

Unit H1, Mendip Industrial Estate,
Rooksbridge
BS26 2UG

Technical: 01934 750500
Email: info@eurostove.co.uk

